

RK-55

**High Quality,
Low Price.**



Large Built-in worktable and
a two-piece splashpan!

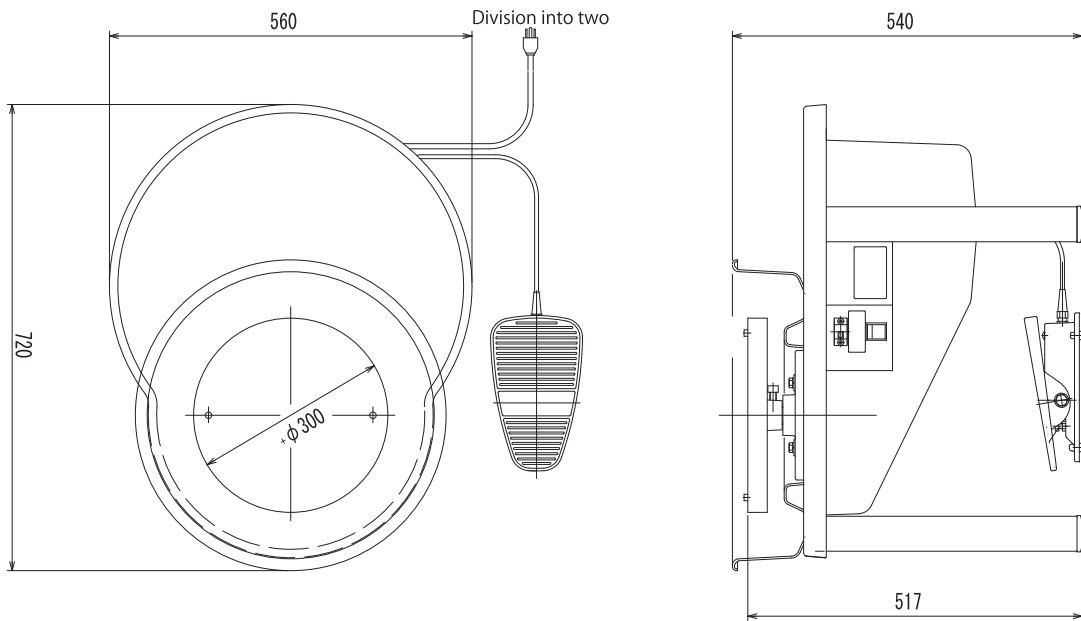
• MAX 12kg centering capacity.

- Only 23kg! Sturdy to throw on, easy to move.
- Automatic belt-tensioning system.
- Three Legs design increases stability.



Smooth remote foot pedal.

Model	RK-55
Motor	100W AC230V 50Hz single phase
Drive System	DC Motor with Brush
Wheelhead speed	0-250rpm
Speed control	Remote Foot Pedal
Wheelhead Direction	Clockwise/Counter-Clockwise
Wheelhead	Light alloy casting, diameter 300mm
Dimension	W560 × D720 × H540 mm
Total Weight	23kg
Power supply code	1.8m
Accessory	Two-piece Splash Pan



NIDEC DRIVE TECHNOLOGY CORPORATION

Copyright NIDEC DRIVE TECHNOLOGY Corporation. All Rights Reserved.

WA-XXXXXXX