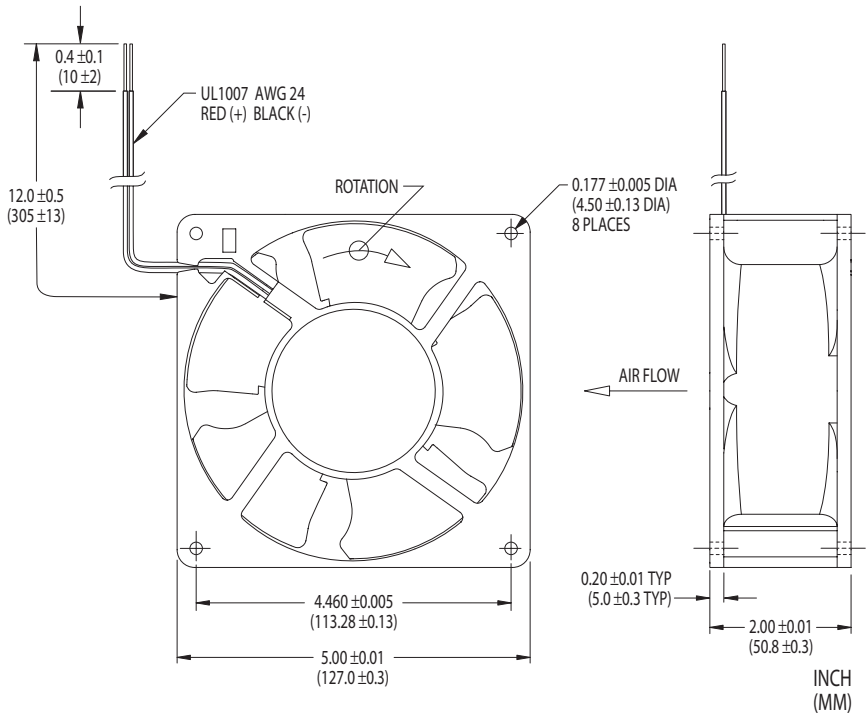


127×51mm



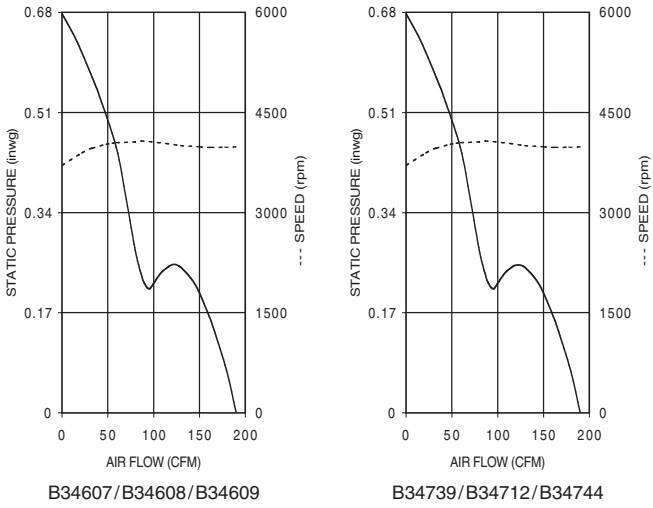
- ▶ Premium Performance Models with 3:1 Voltage Ranges, Constant Fan Speed
- ▶ Reverse Polarity Protection
- ▶ Alarm/Tachometer/Thermal Speed Control/PWM Speed Control Options
- ▶ Built-in Interactive Control Available
- ▶ Permanently Lubricated Ball Bearings
- ▶ Frame and Impeller Rated V-0
- ▶ Color-Coded 12-inch (305 mm) Leads

Unit weight = 15.5 oz. (439g)

WIDEBODY TA500DC Series—Electrical and Mechanical Characteristics

Model	Air Flow (CFM)	Operating Voltage		Current (A)	Power (W)	Sound Level		Fan Speed (rpm)	Bearing	Operating Temp.		L10 Life † (hours)
		Nom. (V)	Range (V)			Pressure (dBA)	NPEL (Bels)			Min. (°C)	Max. (°C)	
B34607	190	12	7.0-14	1.95	23.4	56.7	6.9	4,000	Ball	-10	+70	62,500
B34608	190	24	12-28	0.98	23.5	56.7	6.9	4,000	Ball	-10	+70	62,500
B34609	190	48	24-56	0.46	22.1	56.7	6.9	4,000	Ball	-10	+70	62,500
B34739	190	12	7.0-18	1.95	23.4	56.7	6.9	4,000	Ball	-10	+70	62,500
B34712	190	24	12-36	0.98	23.5	56.7	6.9	4,000	Ball	-10	+70	62,500
B34744	190	48	24-75	0.46	22.1	56.7	6.9	4,000	Ball	-10	+70	62,500

Note: Air flow, current, power, speed and sound level ratings are at nominal voltage against zero static pressure. NPEL = Noise Power Emission Level. Power termination, control and signal options are designated by two-digit suffixes added to the model names: For color-coded 12-inch power leads with stripped ends, add "-16" to the model numbers.
 † L10 bearing life expectancy at $T_A = +40^\circ\text{C}$, nominal voltage. Failure criteria include a 15% reduction in speed or a 5 dBA increase in sound pressure.



Speed-Stable Operation
 Models B34739, B34712 and B34744 maintain constant operating speeds over wide segments of their supply voltage ranges:
 B34739, 10.5V - 18V.
 B34712, 21V - 36V.
 B34744, 42V - 75V.
 Their built-in speed stability eliminates the need to overspecify parts to adequately cool components under conditions of fluctuating supply voltages.

