

172 × 55mm



Speed-Stable Operation

WIDEBODY TA600DC models maintain constant operating speeds over wide segments of their supply voltage ranges:

12V models,
10.5V - 18V.

24V models,
21V - 36V.

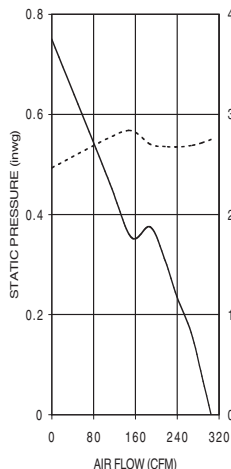
48V models,
42V - 75V.

- ▶ Extraordinary Air Performance over a Broad Range of Static Pressure
- ▶ 12V, 24V and 48V Models
- ▶ 3:1 Operating Voltage Ranges
- ▶ Reverse Polarity Protected
- ▶ Alarm/Tachometer/Thermal Speed Control/PWM Speed Control Options
- ▶ Built-In Interactive Control Available
- ▶ Permanently Lubricated Ball Bearings
- ▶ One-Piece, Die-Cast Metal Housing with Thermoplastic Impeller Rated V-0
- ▶ Color-Coded 12-inch (305mm) Leads or 0.110 × 0.020-inch Spade-Pin Terminals

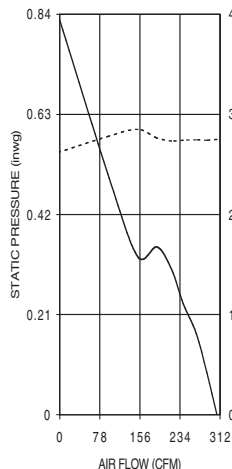
WIDEBODY TA600DC Series—Electrical and Mechanical Characteristics

Model	Air Flow (CFM)	Operating Voltage		Current (A)	Power (W)	Sound Level		Fan Speed (rpm)	Housing	Operating Temp.		L10 Life† (hours)
		Nom. (V)	Range (V)			Pressure (dBA)	NPEL (Bels)			Min. (°C)	Max. (°C)	
A34512	300	12	7.0-18	3.10	37.2	57.3	6.8	3,300	Round	-10	+70	156,000
A34515	300	12	7.0-18	3.10	37.2	59.4	7.1	3,300	StraightSide	-10	+70	156,000
A34513	300	24	12-36	1.50	36.0	57.3	6.8	3,300	Round	-10	+70	156,000
A34516	300	24	12-36	1.50	36.0	59.4	7.1	3,300	StraightSide	-10	+70	156,000
A34514	300	48	24-75	0.75	36.0	57.3	6.8	3,300	Round	-10	+70	156,000
A34517	300	48	24-75	0.75	36.0	59.4	7.1	3,300	StraightSide	-10	+70	156,000
A34884	350	12	7.0-18	4.25	51.0	61.5	7.3	3,850	Round	-10	+70	149,500
A34883	350	12	7.0-18	4.25	51.0	63.5	7.7	3,850	StraightSide	-10	+70	149,500
A34719	350	24	12-36	2.10	50.4	61.5	7.3	3,850	Round	-10	+70	149,500
A34839	350	24	12-36	2.10	50.4	63.5	7.7	3,850	StraightSide	-10	+70	149,500
A34660	350	48	24-75	0.98	47.0	61.5	7.3	3,850	Round	-10	+70	149,500
A34643	350	48	24-75	0.98	47.0	63.5	7.7	3,850	StraightSide	-10	+70	149,500

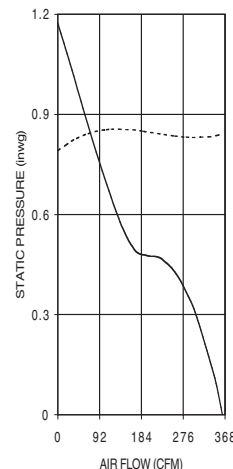
Note: Air flow, current, power, speed and sound level ratings are at nominal voltage against zero static pressure. NPEL = Noise Power Emission Level. Power termination, control and signal options are designated by two-digit suffixes added to the model names: For color-coded 12-inch power leads with stripped ends, add "-16" to the model numbers. For spade-pin power terminals 0.110 inches wide and 0.020 inches thick, add the suffix "-10" to the model numbers. † L10 bearing life expectancy at $T_A = +40^\circ\text{C}$, nominal voltage. Failure criteria include a 15% reduction in speed or a 5 dBA increase in sound pressure.



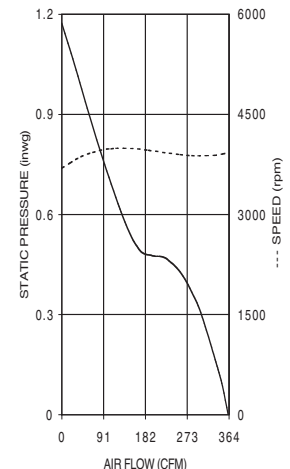
A34512/A34513/A34514



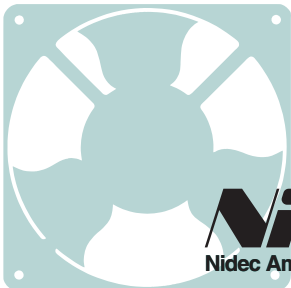
A34515/A34516/A34517



A34884/A34719/A34660



A34883/A34839/A34643

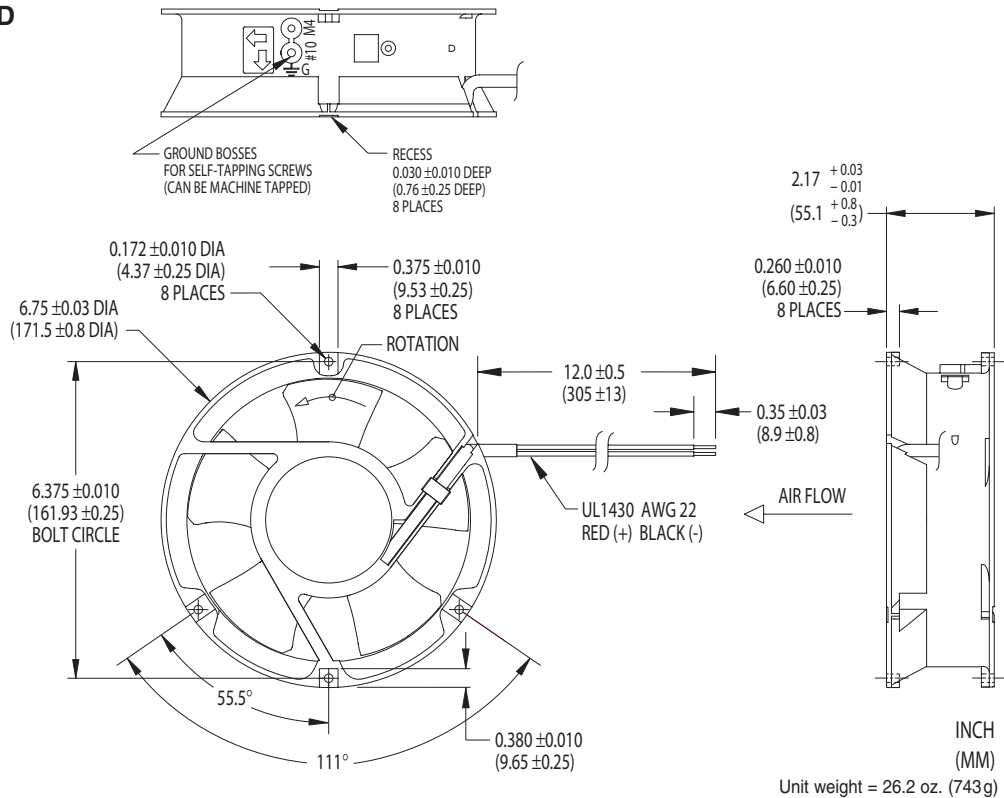


Nidec
Nidec America Corporation

phone 781-848-0970 · fax 781-380-3634 · email fans@nidec.com · www.nidec.com

172x55mm

ROUND



STRAIGHTSIDE

