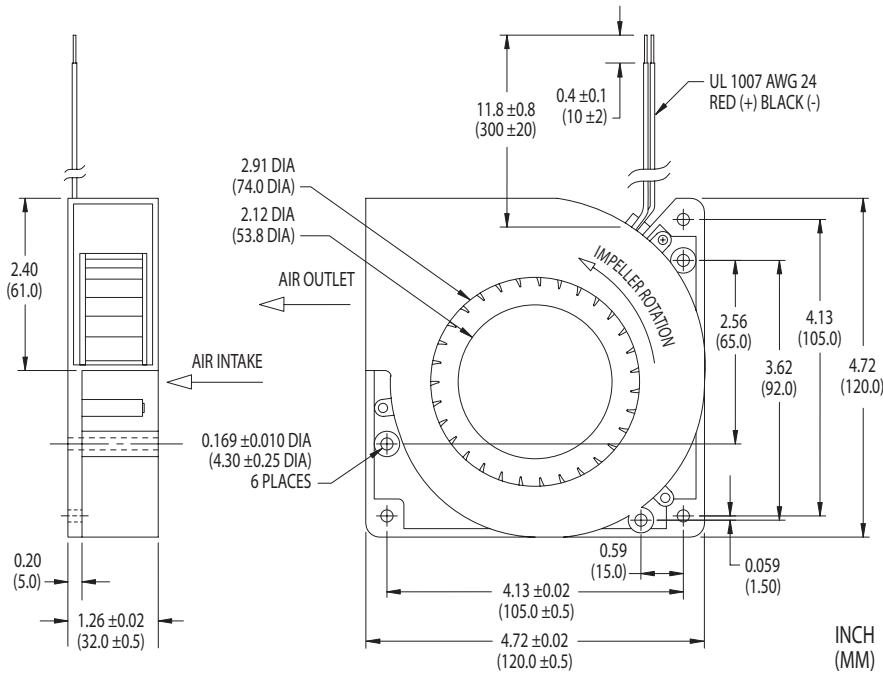


120×32mm



- ▶ 16 to 28 CFM Air Flow Ratings
- ▶ 12V and 24V Models
- ▶ Polarity Protected
- ▶ Permanently Lubricated Ball Bearings
- ▶ Alarm/Tachometer/Thermal Speed Control Options Available
- ▶ Lightweight, Sound-Absorbing Frame and Impeller Rated V-0
- ▶ Color-Coded 11.8 in. (300 mm) Leads

Unit weight = 9.2 oz. (261 g)

GAMMA 32 Series—Electrical and Mechanical Characteristics

Model	Air Flow (CFM)	Operating Voltage		Current (mA)	Power (W)	Sound Level		Fan Speed (rpm)	Bearing	Operating Temp.	
		Nom. (V)	Range (V)			Pressure (dBA)	NPEL (Bels)			Min. (°C)	Max. (°C)
A33924	16	12	10.2-13.8	250	3.00	43.1	5.2	1,800	Ball	-10	+60
A33445	23	12	10.2-13.8	550	6.60	50.4	6.0	2,300	Ball	-10	+60
A32899	23	24	20.4-27.6	400	9.60	50.1	6.0	2,300	Ball	-10	+60
A33916	28	24	20.4-27.6	400	9.60	55.1	6.4	2,750	Ball	-10	+60

Note: Air flow, current, power, speed and sound level ratings are at nominal voltage against zero static pressure. NPEL = Noise Power Emission Level. Power termination and signal options are designated by two-digit suffixes added to the model names: For color-coded 300mm power leads with stripped ends, add "-16" to the model numbers.

