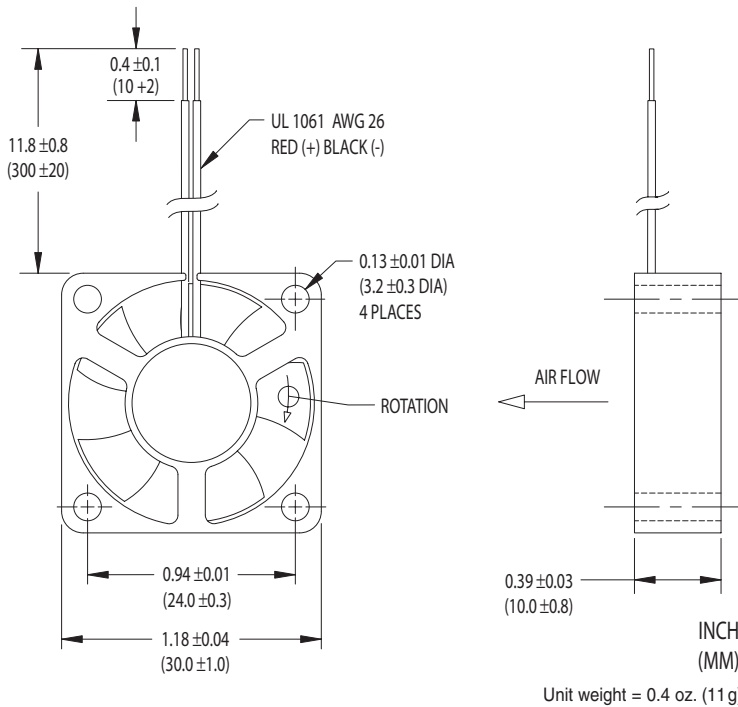


30×10mm



- ▶ Compact 30 × 10 mm Housings
- ▶ 2.5 or 3.5 CFM Air Flow Ratings
- ▶ 5V and 12V Models
- ▶ Low Power Requirements
- ▶ Strut Side Discharge
- ▶ Permanently Lubricated Ball Bearings
- ▶ Alarm and Tachometer Signal Options Available
- ▶ Energy-Absorbing Thermoplastic Housing and Impeller Rated V-0

TA120DC Series—Electrical and Mechanical Characteristics

Model	Operating Voltage				Sound Level				Operating Temp.		
	Air Flow (CFM)	Nom. (V)	Range (V)	Current (mA)	Power (W)	Pressure (dBA)	NPEL (Bels)	Fan Speed (rpm)	Bearing	Min. (°C)	Max. (°C)
C34447	2.5	5.0	4.5-5.5	90	0.45	16.6	3.8	7,000	Ball	-10	+60
C34614	2.5	12	10.2-13.8	50	0.60	16.6	3.8	7,000	Ball	-10	+60
C34449	3.5	5.0	4.5-5.5	110	0.55	23.8	4.4	9,000	Ball	-10	+60
C34615	3.5	12	10.2-13.8	60	0.72	23.8	4.4	9,000	Ball	-10	+60

Note: Air flow, current, power, speed and sound level ratings are at nominal voltage against zero static pressure. NPEL = Noise Power Emission Level. Power termination and signal options are designated by two-digit suffixes added to the model names: For color-coded 300mm power leads with stripped ends, add "-16" to the model numbers.

