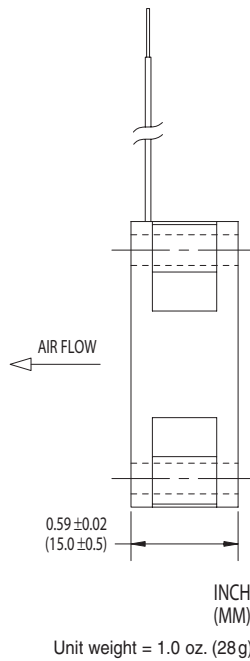
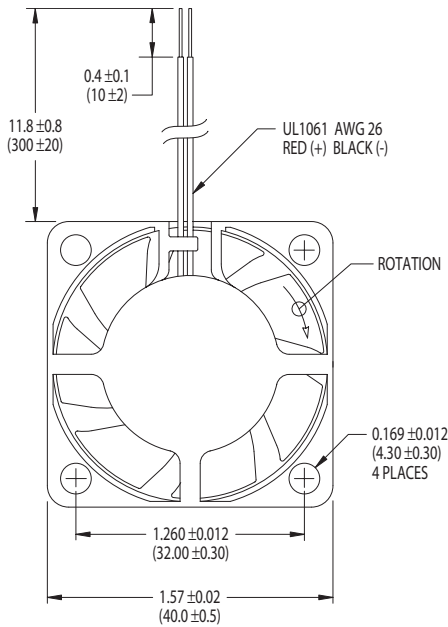


40×15mm



- ▶ 6.5 to 8.5 CFM Air Flow Ratings
- ▶ 12V and 24V Models
- ▶ Low Power Requirements
- ▶ Strut Side Discharge
- ▶ Long-Life Nidec NBR Bearing
- ▶ Alarm/Tachometer Options Available
- ▶ Energy-Absorbing Thermoplastic Housing and Impeller Rated V-0

TA150DC Series—Electrical and Mechanical Characteristics

Model	Air Flow (CFM)	Operating Voltage		Current (mA)	Power (W)	Sound Level		Fan Speed (rpm)	Bearing ^Δ	Operating Temp.	
		Nom. (V)	Range (V)			Pressure (dBA)	NPEL (Bels)			Min. (°C)	Max. (°C)
H35081	6.5	12	10.2-13.8	90	1.08	26.8	4.4	6,000	NBR	-10	+60
H35082	6.5	24	20.4-27.6	70	1.68	26.8	4.4	6,000	NBR	-10	+60
H35083	8.5	12	10.2-13.8	150	1.80	32.5	5.0	8,000	NBR	-10	+60
H35084	8.5	24	20.4-26.4	90	2.16	32.5	5.0	8,000	NBR	-10	+60

Note: Air flow, current, power, speed and sound level ratings are at nominal voltage against zero static pressure. NPEL = Noise Power Emission Level. Power termination and signal options are designated by two-digit suffixes added to the model names: For color-coded 300mm power leads with stripped ends, add "-16" to the model numbers.

^Δ NBR, Nidec Bearing Revolution: See <http://www.nidec.com/nbr/nbr.htm>.

