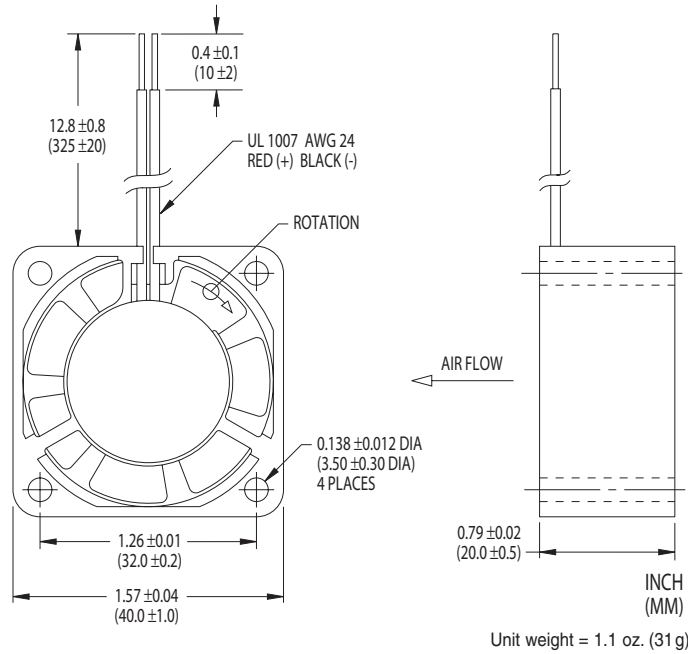


# 40x20mm



- ▶ 5V, 12V and 24V Models
- ▶ Low Power Requirements
- ▶ Reverse Polarity Protection\*
- ▶ Strut Side Discharge
- ▶ Permanently Lubricated Ball Bearings
- ▶ Alarm/Tachometer Options Available

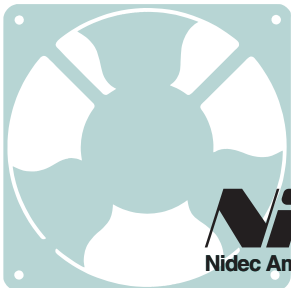
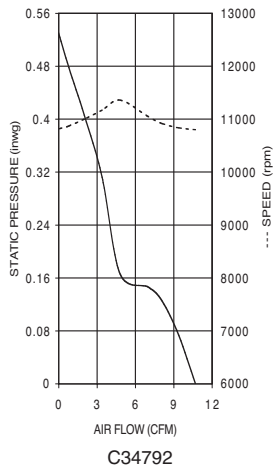
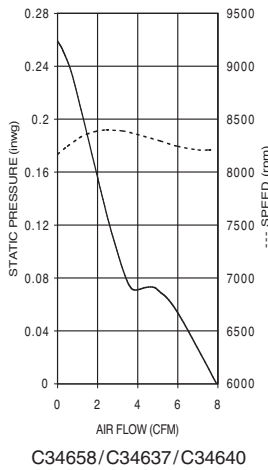
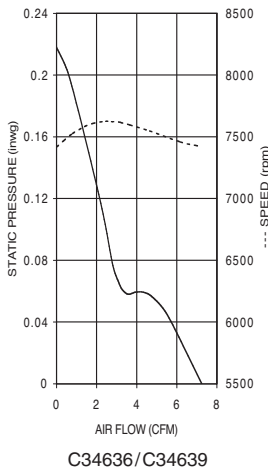
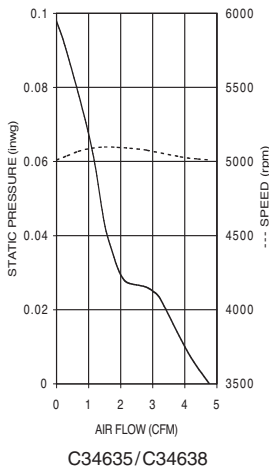


## WIDEBODY TA150DC Series—Electrical and Mechanical Characteristics

Model	Operating Voltage			Current (mA)	Power (W)	Sound Level			Fan Speed (rpm)	Bearing	Operating Temp.	
	Air Flow (CFM)	Nom. (V)	Range (V)			Pressure (dBA)	NPEL (Bels)	Min. (°C)			Max. (°C)	
C34635	5.0	12	10.2-13.8	70	0.84	18.5	4.3	5,000	Ball	-10	+70	
C34638	5.0	24	20.4-27.6	60	1.44	18.5	4.3	5,000	Ball	-10	+70	
C34636	7.0	12	10.2-13.8	120	1.44	29.9	4.7	7,000	Ball	-10	+70	
C34639	7.0	24	20.4-27.6	70	1.68	29.9	4.7	7,000	Ball	-10	+70	
C34658	8.0	5.0	4.5-5.5	360	1.80	31.2	4.9	8,000	Ball	-10	+60	
C34637	8.0	12	10.2-13.8	130	1.56	31.2	4.9	8,000	Ball	-10	+60	
C34640	8.0	24	20.4-27.6	80	1.92	31.2	4.9	8,000	Ball	-10	+60	
C34792	10.5	12	10.2-13.8	270	3.24	36.7	5.5	10,800	Ball	-10	+60	

Note: Air flow, current, power, speed and sound level ratings are at nominal voltage against zero static pressure. NPEL = Noise Power Emission Level. Power termination and signal options are designated by two-digit suffixes added to the model names: For color-coded 325mm power leads with stripped ends, add "-16" to the model numbers.

\* Polarity protection on 12V and 24V models only.



**Nidec**  
Nidec America Corporation

phone 781-769-0619 · fax 781-551-6825 · email fans@nidec.com · www.nidec.com