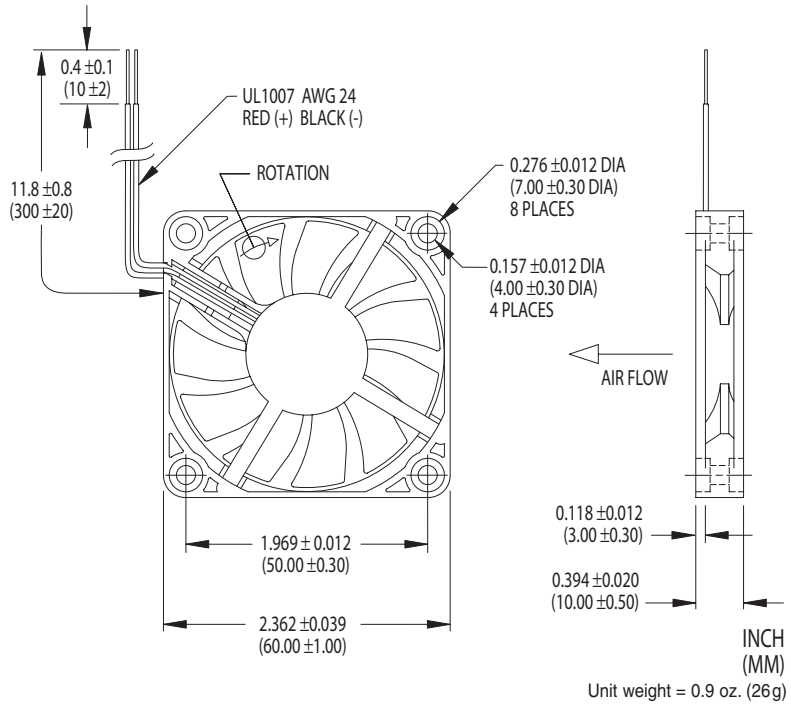


# 60x10mm



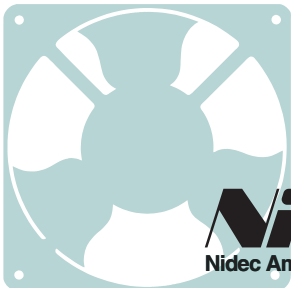
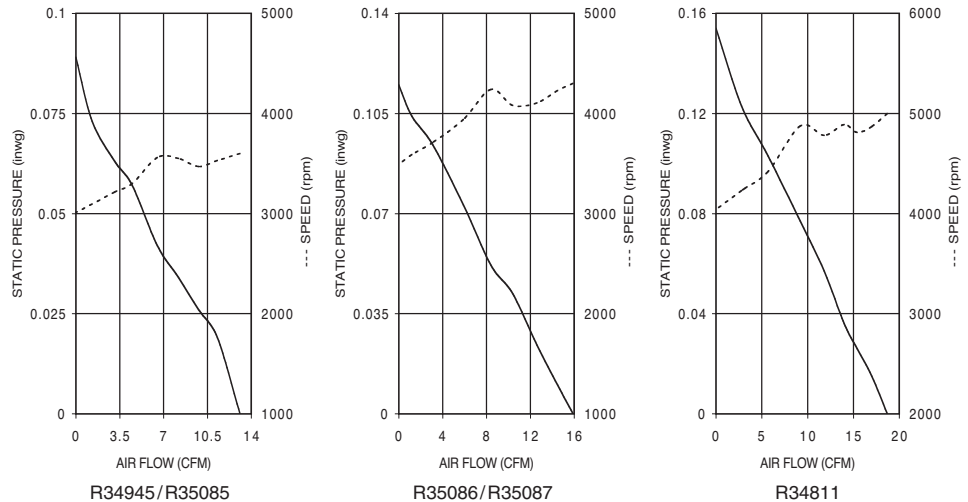
- ▶ 13 to 19 CFM Air Flow Ratings
- ▶ 12V and 24V Models
- ▶ Strut Side Discharge
- ▶ Permanently Lubricated Ball Bearings
- ▶ Alarm/Tachometer/Thermal Speed Control/PWM Speed Control Options
- ▶ Sound-Absorbing Thermoplastic Frame and Impeller Rated V-0



## SLIMLINE TA225DC Series—Electrical and Mechanical Characteristics

Model	Air Flow (CFM)	Operating Voltage		Current (mA)	Power (W)	Sound Level		Fan Speed (rpm)	Bearing	Operating Temp.	
		Nom. (V)	Range (V)			Pressure (dBA)	NPEL (Bels)			Min. (°C)	Max. (°C)
R34945	13	12	10.2-13.8	110	1.32	27.4	4.4	3,600	Ball	-10	+60
R35085	13	24	20.4-27.6	80	1.92	27.4	4.4	3,600	Ball	-10	+60
R35086	16	12	10.2-13.8	160	1.92	31.3	4.8	4,300	Ball	-10	+60
R35087	16	24	20.4-27.6	90	2.16	31.3	4.8	4,300	Ball	-10	+60
R34811	19	12	10.2-13.8	190	2.28	37.0	5.0	5,000	Ball	-10	+60

Note: Air flow, current, power, speed and sound level ratings are at nominal voltage against zero static pressure. NPEL = Noise Power Emission Level. Power termination and signal options are designated by two-digit suffixes added to the model names: For color-coded 300mm power leads with stripped ends, add "-16" to the model numbers.



**Nidec**  
Nidec America Corporation

phone 781-769-0619 · fax 781-551-6825 · email fans@nidec.com · www.nidec.com