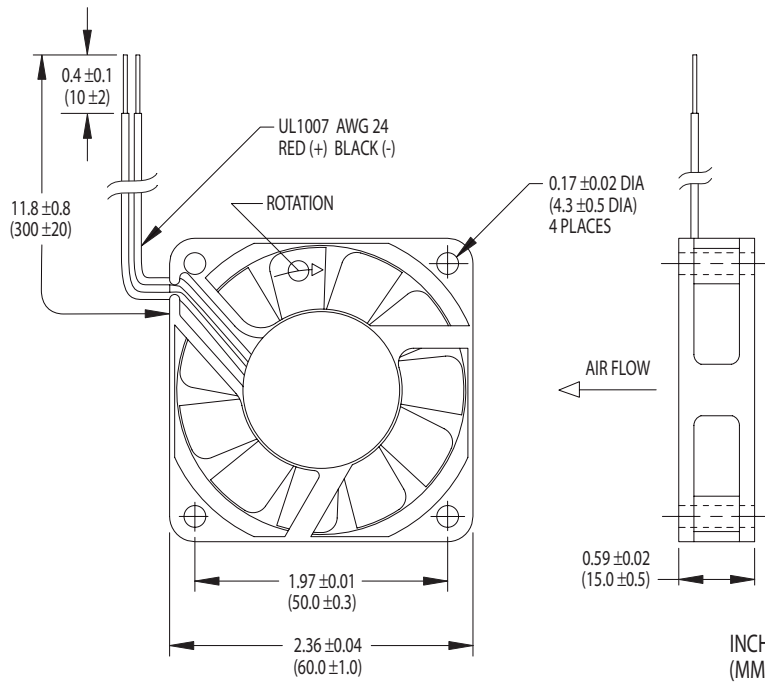


60x15mm



- ▶ 12V and 24V Models
- ▶ Polarity Protected
- ▶ Strut Side Discharge
- ▶ Permanently Lubricated Ball Bearings
- ▶ Alarm/Tachometer/Thermal Speed Control/PWM Speed Control Option
- ▶ Sound-Absorbing Thermoplastic Frame and Impeller Rated V-0

Unit weight = 1.4 oz. (40g)

SLIMLINE TA225DC Series—Electrical and Mechanical Characteristics

Model	Air Flow (CFM)	Operating Voltage		Current (mA)	Power (W)	Sound Level		Fan Speed (rpm)	Bearing	Operating Temp.	
		Nom. (V)	Range (V)			Pressure (dBA)	NPEL (Bels)			Min. (°C)	Max. (°C)
R33955	12	12	10.2-13.8	90	1.08	25.1	3.4	3,500	Ball	-10	+70
R34140	12	24	20.4-27.6	70	1.68	25.1	3.4	3,500	Ball	-10	+70
R33960	16	12	10.2-13.8	130	1.56	27.6	3.7	4,200	Ball	-10	+70
R34145	16	24	20.4-27.6	80	1.92	27.6	3.7	4,200	Ball	-10	+70
R33965	18	12	10.2-13.8	160	1.92	30.8	4.1	5,000	Ball	-10	+70
R34150	18	24	20.4-27.6	100	2.40	30.8	4.1	5,000	Ball	-10	+70

Note: Air flow, current, power, speed and sound level ratings are at nominal voltage against zero static pressure. NPEL = Noise Power Emission Level. Power termination and signal options are designated by two-digit suffixes added to the model names: For color-coded 300mm power leads with stripped ends, add "-16" to the model numbers.

