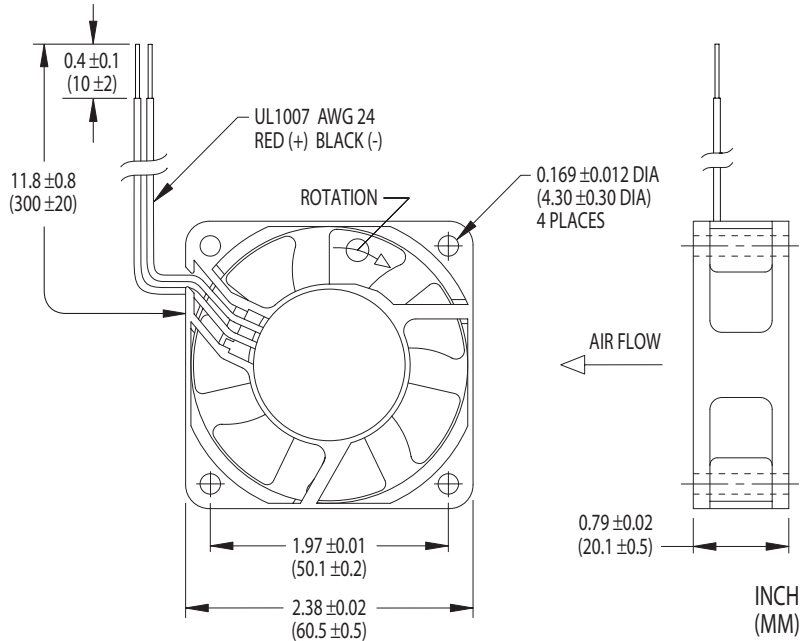


# 60.5 × 20mm



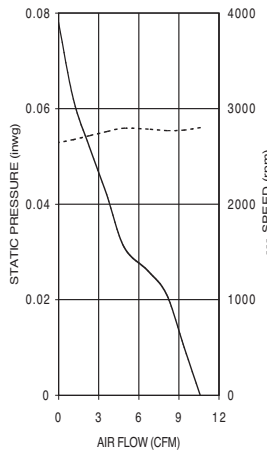
Unit weight = 1.8 oz. (51g)

- ▶ 11 to 18 CFM Air Flow Ratings
- ▶ 12V and 24V Models
- ▶ Reverse Polarity Protection
- ▶ Strut Side Discharge
- ▶ Permanently Lubricated Ball Bearings
- ▶ Alarm/Tachometer/Thermal Speed Control/PWM Speed Control Options
- ▶ Sound-Absorbing Thermoplastic Frame and Impeller Rated V-0

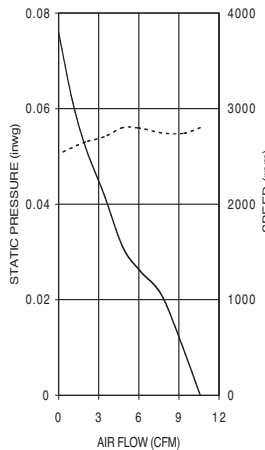
## TA225DC Series—Electrical and Mechanical Characteristics

Model	Air Flow (CFM)	Operating Voltage		Current (mA)	Power (W)	Sound Level		Fan Speed (rpm)	Bearing	Operating Temp.	
		Nom. (V)	Range (V)			Pressure (dBA)	NPEL (Bels)			Min. (°C)	Max. (°C)
R35090	11	12	10.2-13.8	80	0.96	21.2	3.6	2,800	Ball	-10	+70
R35091	11	24	20.4-27.6	60	1.44	21.2	3.6	2,800	Ball	-10	+70
R35092	18	12	10.2-13.8	180	2.16	33.8	4.8	4,700	Ball	-10	+70
R35093	18	24	20.4-27.6	100	2.40	33.8	4.8	4,700	Ball	-10	+70

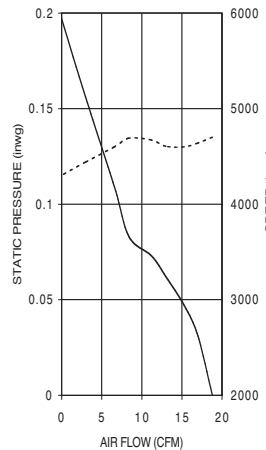
Note: Air flow, current, power, speed and sound level ratings are at nominal voltage against zero static pressure. NPEL = Noise Power Emission Level. Power termination and signal options are designated by two-digit suffixes added to the model names: For color-coded 300mm power leads with stripped ends, add "-16" to the model numbers.



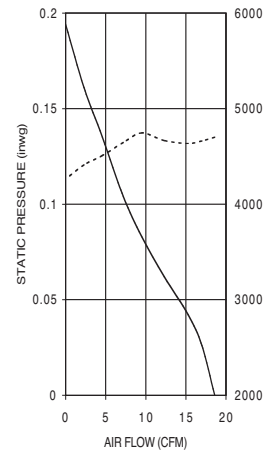
R35090



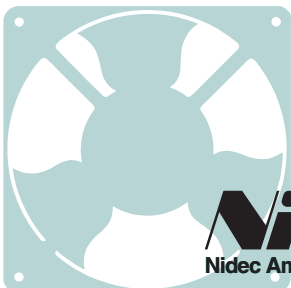
R35091



R35092



R35093



**Nidec**  
Nidec America Corporation

phone 781-848-0970 · fax 781-380-3634 · email fans@nidec.com · www.nidec.com