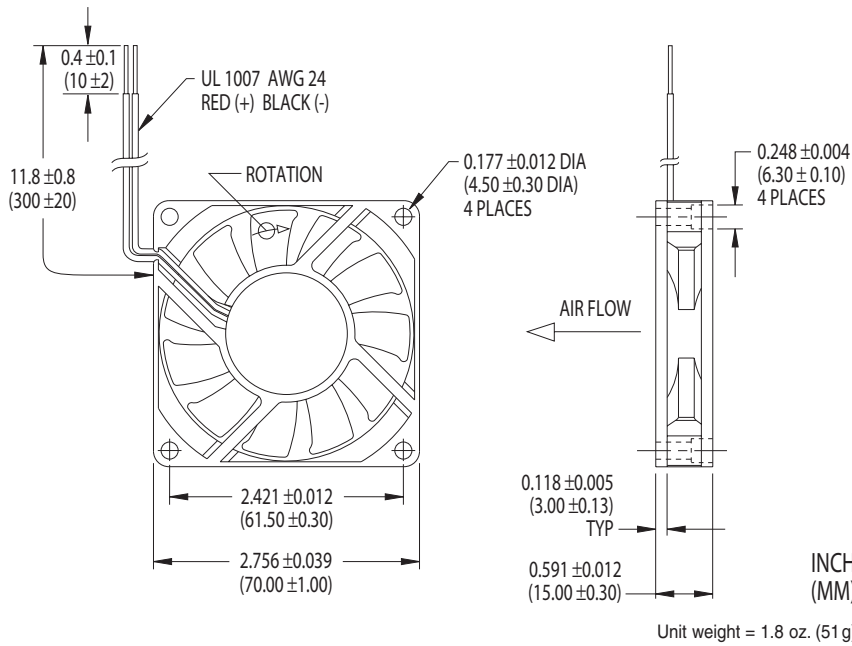


70×15mm



- ▶ Optimized for Application with High-Performance Microprocessors
- ▶ Polarity Protected
- ▶ Strut Side Discharge
- ▶ Permanently Lubricated Ball Bearings or Long-Life NBR^Δ Design
- ▶ Alarm/Tachometer Options Available
- ▶ Sound-Absorbing Thermoplastic Frame and Impeller Rated V-0

TA275DC Series—Electrical and Mechanical Characteristics

| Model | Air Flow (CFM) | Operating Voltage | | Current (mA) | Power (W) | Sound Level | | Fan Speed (rpm) | Bearing ^Δ | Operating Temp. | |
|--------|----------------|-------------------|-----------|--------------|-----------|----------------|-------------|-----------------|----------------------|-----------------|-----------|
| | | Nom. (V) | Range (V) | | | Pressure (dBA) | NPEL (Bels) | | | Min. (°C) | Max. (°C) |
| C35030 | 30 | 12 | 10.2-13.8 | 390 | 4.68 | 38.8 | 5.4 | 4,600 | Ball | -10 | +60 |
| H35058 | 30 | 12 | 10.2-13.8 | 390 | 4.68 | 39.1 | 5.5 | 4,600 | NBR | -10 | +60 |

Note: Air flow, current, power, speed and sound level ratings are at nominal voltage against zero static pressure. NPEL = Noise Power Emission Level. Power termination and signal options are designated by two-digit suffixes added to the model names: For color-coded 300mm power leads with stripped ends, add "-16" to the model numbers.

^Δ NBR, Nidec Bearing Revolution: See <http://www.nidec.com/nbr/nbr.htm>.

