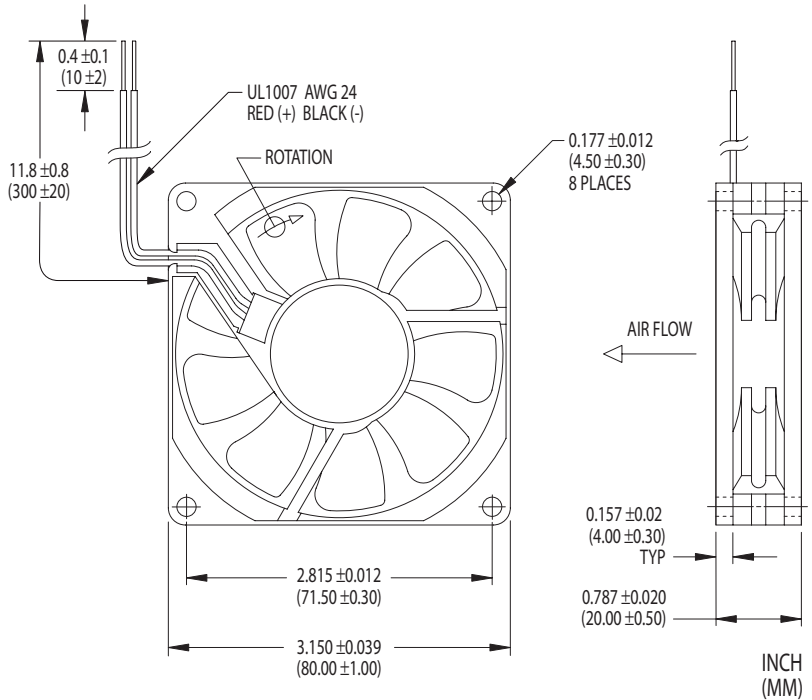


80x20mm



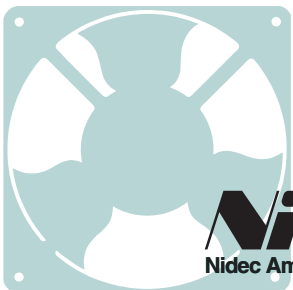
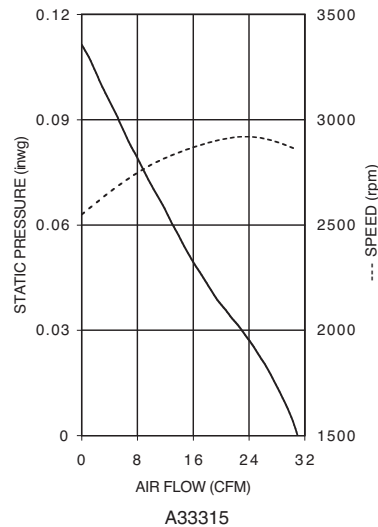
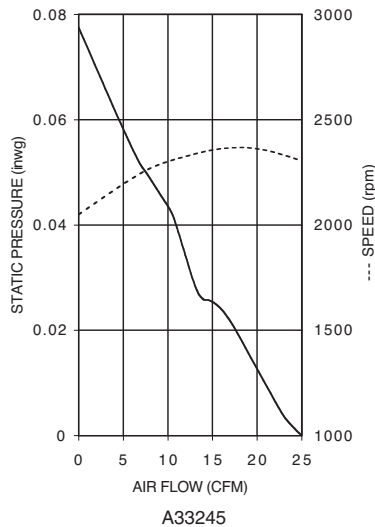
Unit weight = 2.5 oz. (71 g)

- ▣ 25 and 30 CFM Air Flow Ratings
- ▣ Reverse Polarity Protection
- ▣ Strut Side Discharge
- ▣ Permanently Lubricated Ball Bearings
- ▣ Alarm/Tachometer/Thermal Speed Control/PWM Speed Control Options
- ▣ Lightweight, Sound-Absorbing Thermoplastic Frame and Impeller Rated V-0

SLIMLINE TA300DC Series—Electrical and Mechanical Characteristics

Model	Air Flow (CFM)	Operating Voltage		Current (mA)	Power (W)	Sound Level		Fan Speed (rpm)	Bearing	Operating Temp.	
		Nom. (V)	Range (V)			Pressure (dBA)	NPEL (Bels)			Min. (°C)	Max. (°C)
A33245	25	12	10.2-13.8	120	1.44	27.6	4.4	2,300	Ball	-10	+70
A33315	30	12	10.2-13.8	160	1.92	33.6	4.9	2,800	Ball	-10	+70

Note: Air flow, current, power, speed and sound level ratings are at nominal voltage against zero static pressure. NPEL = Noise Power Emission Level. Power termination and signal options are designated by two-digit suffixes added to the model names: For color-coded 300mm power leads with stripped ends, add "-16" to the model numbers. Alternate versions of models A33245 and A33315, with closed corner flanges, are available as A33373 and A33375, respectively.



Nidec
Nidec America Corporation

phone 781-848-0970 · fax 781-380-3634 · email fans@nidec.com · www.nidec.com