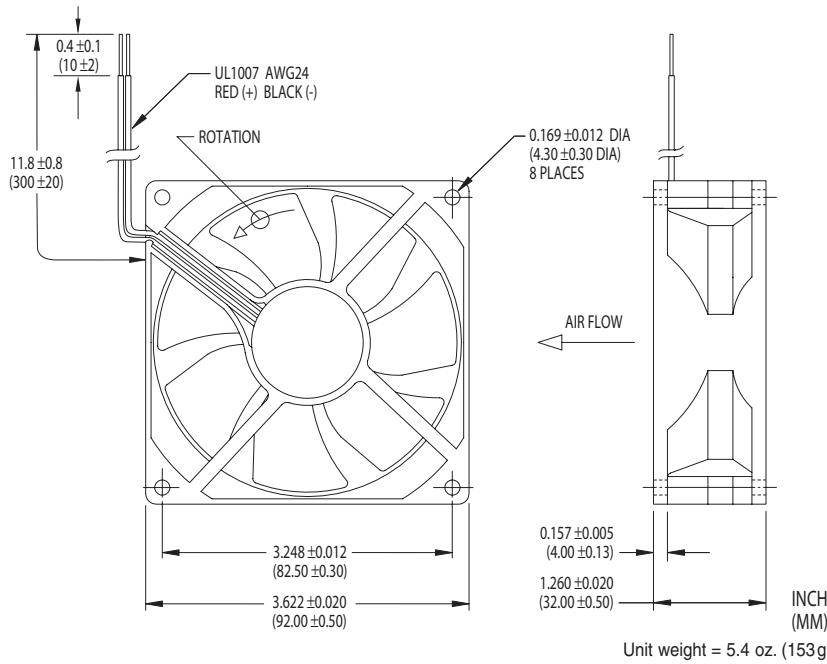


# 92×32mm



- ▶ 34 to 80 CFM Air Flow Ratings
- ▶ 12V and 24V Models
- ▶ Reverse Polarity Protection
- ▶ Strut Side Discharge
- ▶ Permanently Lubricated Ball Bearings
- ▶ Alarm/Tachometer/Thermal Speed Control/PWM Speed Control Options
- ▶ Thermoplastic Frame and Impeller Rated V-0

## WIDEBODY TA350DC Series—Electrical and Mechanical Characteristics

Model	Air Flow (CFM)	Operating Voltage		Current (mA)	Power (W)	Sound Level		Fan Speed (rpm)	Bearing	Operating Temp.	
		Nom. (V)	Range (V)			Pressure (dBA)	NPEL (Bels)			Min. (°C)	Max. (°C)
M34720	34	12	10.2-13.8	90	1.08	21.7	3.7	1,700	Ball	-10	+70
M34721	34	24	20.4-27.6	60	1.44	21.7	3.7	1,700	Ball	-10	+70
M34722	42	12	10.2-13.8	110	1.32	27.5	4.2	2,100	Ball	-10	+70
M34723	42	24	20.4-27.6	70	1.68	27.5	4.2	2,100	Ball	-10	+70
M34613	58	12	10.2-13.8	220	2.64	36.2	4.9	2,900	Ball	-10	+70
M34724	58	24	20.4-27.6	110	2.64	36.2	4.9	2,900	Ball	-10	+70
M35172	80	12	10.8-13.2	550	6.60	44.8	6.0	4,000	Ball	-10	+60

Note: Air flow, current, power, speed and sound level ratings are at nominal voltage against zero static pressure. NPEL = Noise Power Emission Level. Power termination and signal options are designated by two-digit suffixes added to the model names: For color-coded 300mm power leads with stripped ends, add "-16" to the model numbers.

