



QUICK GUIDE TO AC FANS

Model	Air Flow (CFM)	Voltage (V)	Line Frequency (Hz)	Current (mA)	Power (W)	NPEL (Bels)	Housing	Fan Speed (rpm)	Safety Approval			Temperature		L10 Life † (hours)	
									UL	CSA	VDE	Min. (°C)	Max. (°C)		
TA450AC Sleeve Bearing Fans					4.69 × 4.69 × 1.50 in. (119 × 119 × 38 mm), 27.8 oz.										
A30769	50	115	50/60	124/110	12/10	4.0	Zinc	1600	✓	✓	✓	-20	+60	63,000	
A30925	50	230	50/60	62/55	12/10	4.0	Zinc	1650	✓	✓	✓	-20	+60	63,000	
A30390	68	115	50/60	110/104	12/11	4.3	Zinc	2050	✓	✓	✓	-20	+60	63,000	
A30426	68	230	50/60	55/52	12/11	4.3	Zinc	2100	✓	✓	✓	-20	+60	63,000	
A30108	105	115	50/60	260/210	19/17	5.8	Zinc	3200	✓	✓	✓	-20	+60	63,000	
A28678	105	230	50/60	130/105	19/17	5.8	Zinc	3200	✓	✓	✓	-20	+60	63,000	
TA450AC Ball Bearing Fans					4.69 × 4.69 × 1.50 in. (119 × 119 × 38 mm), 27.8 oz.										
A30926	50	115	50/60	124/110	12/10	4.0	Zinc	1600	✓	✓	✓	-20	+70	50,000	
A30927	50	230	50/60	62/55	12/10	4.0	Zinc	1650	✓	✓	✓	-20	+70	50,000	
A30443	68	115	50/60	110/104	12/11	4.3	Zinc	2050	✓	✓	✓	-20	+70	50,000	
A30444	68	230	50/60	55/52	12/11	4.3	Zinc	2100	✓	✓	✓	-20	+70	50,000	
A30122	105	115	50/60	260/210	19/17	5.8	Zinc	3200	✓	✓	✓	-20	+70	50,000	
A30135	105	230	50/60	130/105	19/17	5.8	Zinc	3200	✓	✓	✓	-20	+70	50,000	
TA500AC Sleeve Bearing Fans					5.0 × 5.0 × 1.50 in. (127 × 127 × 38 mm), 30.3 oz.										
A30700	106	115	50/60	264/220	21/19	5.3	Zinc	2450	✓	✓	✓	-20	+60	63,000	
A30704	106	230	50/60	132/110	21/19	5.3	Zinc	2450	✓	✓	✓	-20	+60	63,000	
A30200	130	115	50/60	320/270	23/21	5.8	Zinc	2950	✓	✓	—	-20	+60	63,000	
A30324	130	230	50/60	160/135	23/21	5.8	Zinc	2950	✓	✓	—	-20	+60	63,000	
TA500AC Ball Bearing Fans					5.0 × 5.0 × 1.50 in. (127 × 127 × 38 mm), 30.3 oz.										
A30330	130	115	50/60	320/270	23/21	5.8	Zinc	2950	✓	✓	—	-20	+70	59,400	
A30332	130	230	50/60	160/135	23/21	5.8	Zinc	2950	✓	✓	—	-20	+70	59,400	
TA600AC Ball Bearing Fans					5.91 × 6.75 × 1.50 in. (150 × 171 × 38 mm), 33.5 oz.										
A32060	135	115	50/60	250/220	23/21	4.8	Aluminum	1750	✓	✓	—	-20	+70	55,000	
A32013	135	230	50/60	135/120	23/21	4.8	Aluminum	1800	✓	✓	—	-20	+70	55,000	
A30318	260	115	50/60	350	32	6.6	Aluminum	3300	✓	✓	†	-20	+70	55,000	
A30322	260	230	50/60	175	32	6.6	Aluminum	3300	✓	✓	—	-20	+70	55,000	
TA700AC Ball Bearing Fans					6.91 × 6.91 × 4.0 in. (175 × 175 × 102 mm), 67.0 oz.										
A30050	380	115	50/60	1500/1200	84/75	7.4	Al+Plastic	3250	✓	✓	—	-20	+60	60,000	
A30056	380	230	50/60	750/600	84/75	7.4	Al+Plastic	3250	✓	✓	—	-20	+60	60,000	
TA1000AC Ball Bearing Fans					10 in. Dia. × 3.5 in. (254mm Dia. × 89 mm), 67.0 oz.										
A30205	535	115	50/60	780/700	51	6.2	Aluminum	1600	✓	✓	—	-20	+60	20,000	
A30230	530	230	50/60	430/370	52	6.2	Aluminum	1600	✓	✓	—	-20	+60	20,000	

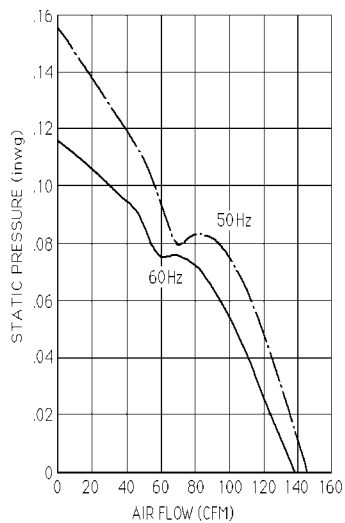
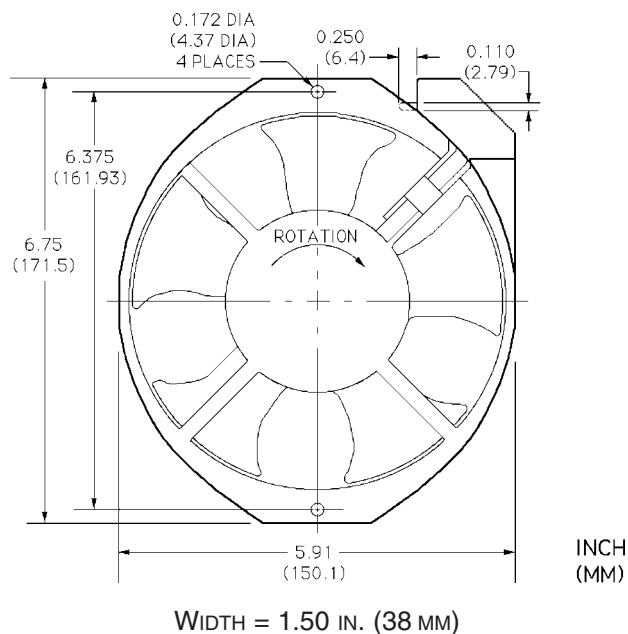
Note: Noise Power Emission Level (NPEL), current, power and speed ratings are at nominal voltage against zero static pressure. Power termination and signal options are designated by two-digit suffixes added to the model names. For quick-disconnect male power-tab terminations on the body of the fan, add "-10" to the model numbers. For color-coded 12-inch power leads with stripped ends, add "-20" to the model numbers.

The strut side is the air discharge side of all ac-powered fans shown here.

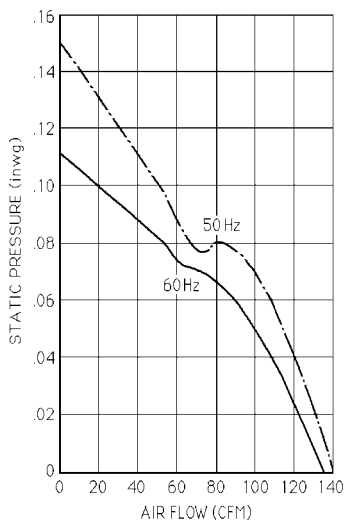
† TÜV approved to EN60950.

‡ L10 bearing life expectancy at $T_A = +40^\circ\text{C}$, nominal voltage. Failure criteria include a 15% reduction in speed or a 5 dBA increase in sound pressure.

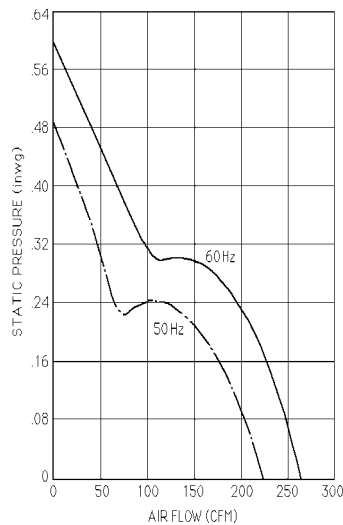
TA600AC



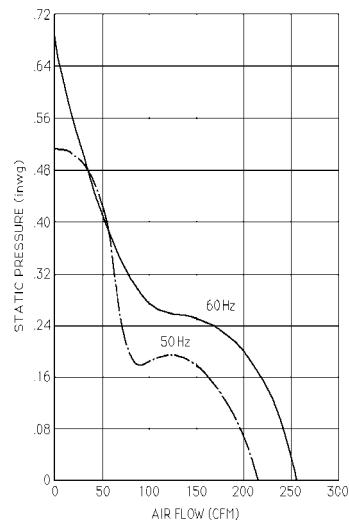
A32060



A32013



A30318



A30322

