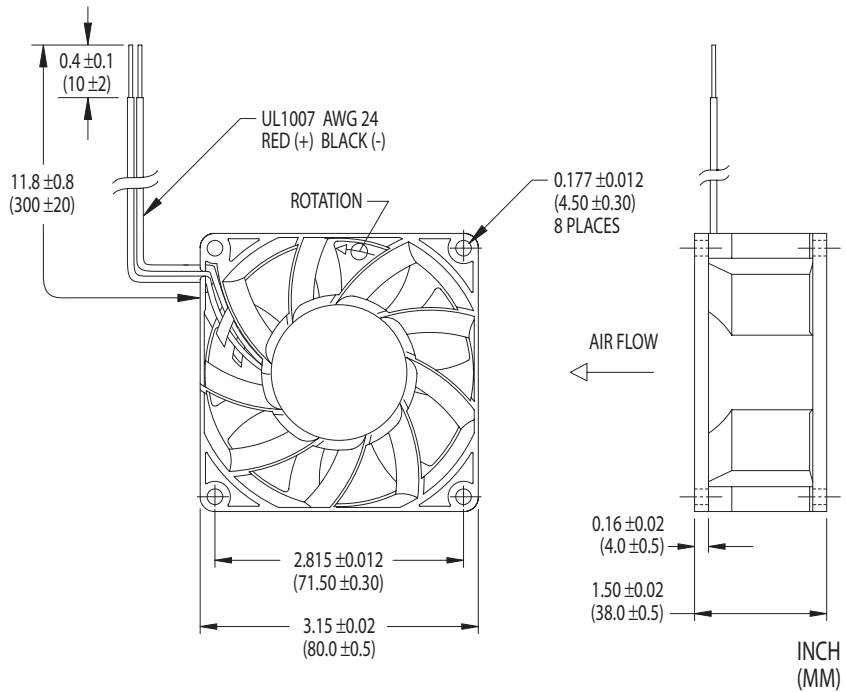


80×38mm



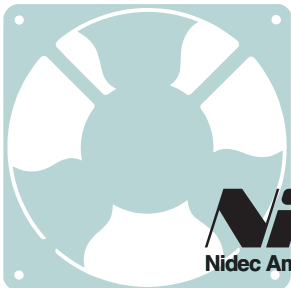
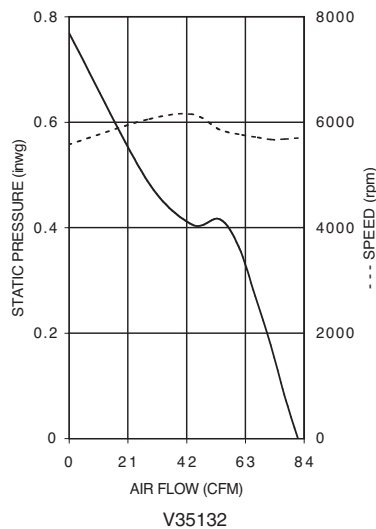
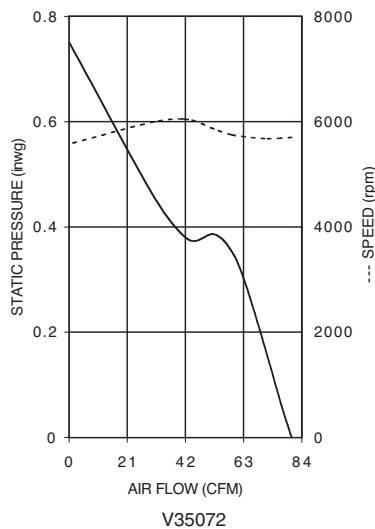
- ▶ Advanced Vane Axial Design for Optimal Air Delivery at Elevated Pressure Levels
- ▶ Polarity Protected
- ▶ Strut Side Discharge
- ▶ Permanently Lubricated Ball Bearings
- ▶ Alarm/Tachometer Options Available
- ▶ Sound-Absorbing Thermoplastic Frame and Impeller Rated V-0

Unit weight = 6.3 oz. (179g)

VA300DC Series—Electrical and Mechanical Characteristics

Model	Air Flow (CFM)	Operating Voltage		Current (mA)	Power (W)	Sound Level		Fan Speed (rpm)	Bearing	Operating Temp.	
		Nom. (V)	Range (V)			Pressure (dBA)	NPEL (Bels)			Min. (°C)	Max. (°C)
V35072	80	12	10.2-13.8	900	10.8	53.0	6.8	5,700	Ball	-10	+70
V35132	80	24	20.4-27.6	450	10.8	53.0	6.8	5,700	Ball	-10	+70

Note: Air flow, current, power, speed and sound level ratings are at nominal voltage against zero static pressure. NPEL = Noise Power Emission Level. Power termination and signal options are designated by two-digit suffixes added to the model names: For color-coded 300mm power leads with stripped ends, add "-16" to the model numbers.



Nidec
Nidec America Corporation

phone 781-769-0619 · fax 781-551-6825 · email fans@nidec.com · www.nidec.com