

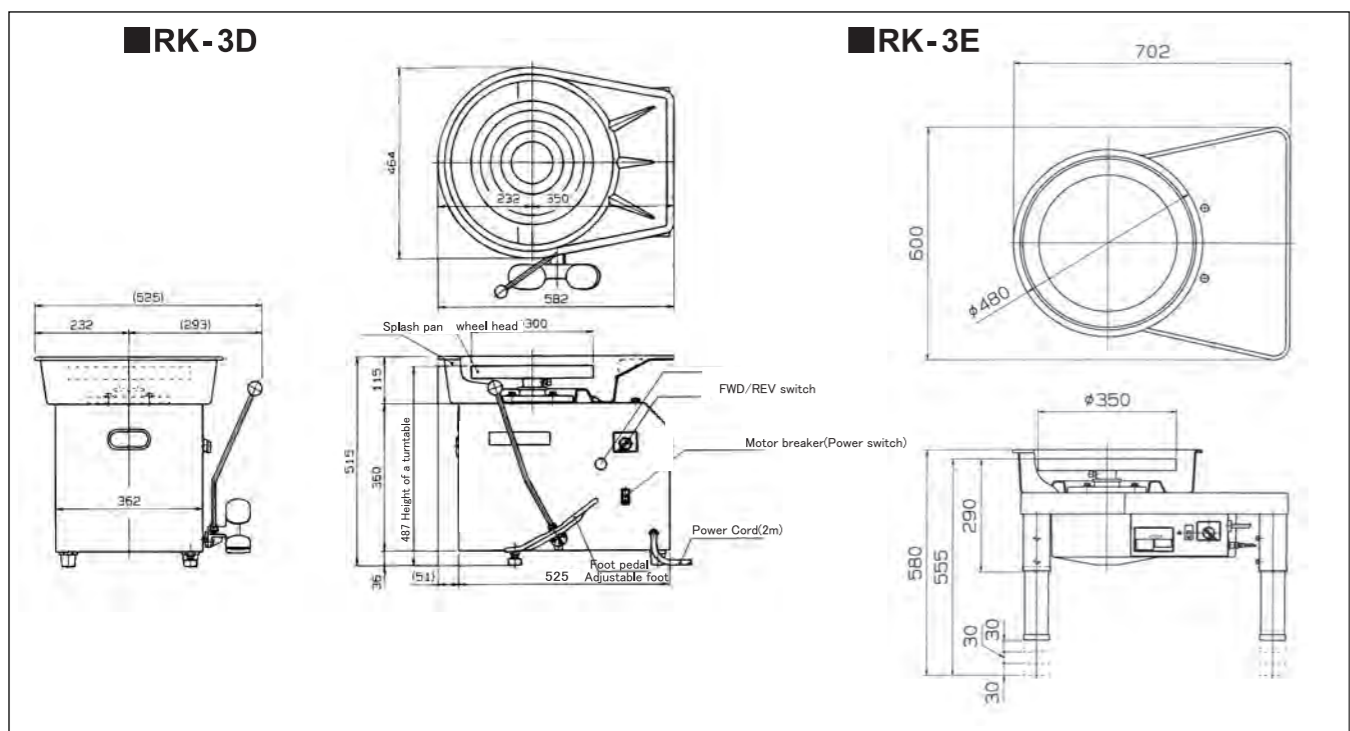
● Specifications

Model	RK-3D	RK-3E
Motor	400W Single Phase 230V	
rpm	50/60Hz : 0~250rpm	
Drive	Direct Drive	
Control	Electronic with Fixed Foot Pedal and Hand Lever	Remote Controlled Foot Pedal
Direction	Clockwise/Counter-clockwise	
Free spinning	available at 0 rpm	
Wheelhead	Cast Aluminum, 300mm Diameter	Cast Aluminum, 350mm Diameter
Dimensions	525×582×515mm	600×702×580mm(maximum)
Ship Weight	45kg	42.5kg
Standard Accessory	Two-piece Splasu Pun	

- * The motor of RK-3D/3E is available in other voltage also,so please contact us.
- * We also have a RK-3D model with 400mm table. Except you cannot install the splash pun and splashguard. It also does not attach with 300mm table.

Caution
 Please read the entire instruction manual thoroughly before initial set-up and operation; the information contained herein will aid you in operating your shrimpo wheel safely and with excellent result.

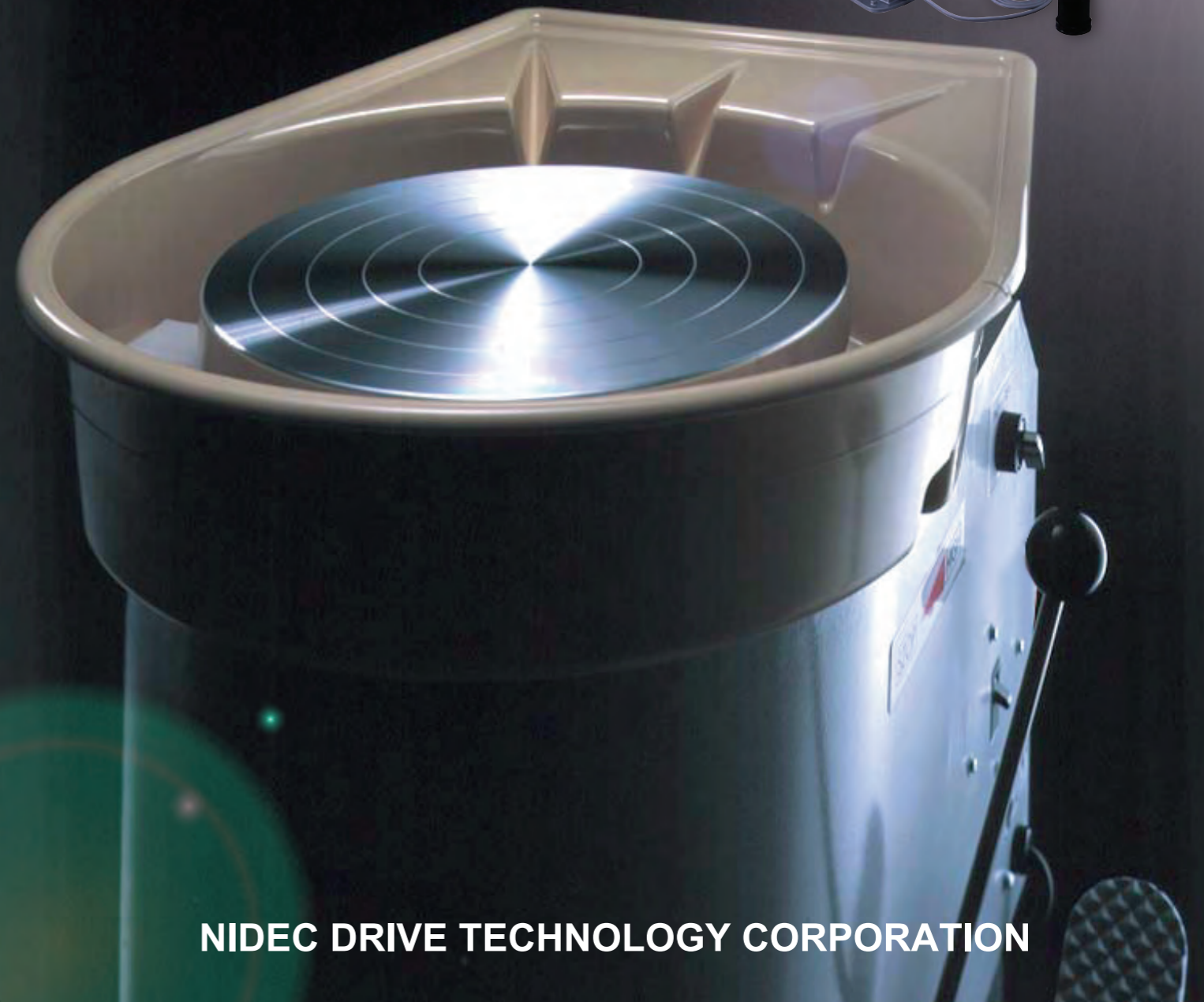
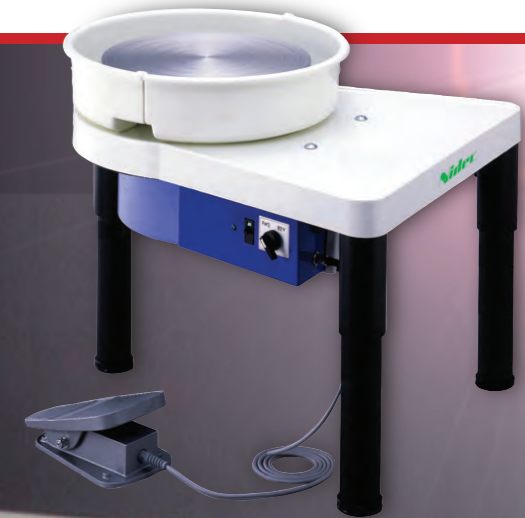
● Dimensions



RK-3D/3E

The world-standard potter's wheel

"QUIET" (30 Decibels)
 "POWERFUL" (400W Motor)



Amazingly Quiet for Today's World Market

RK-3D/RK-3E

A potter's wheel of global standards, developed by Nidec Drive Technology in Japan, has just become available!

Extremely smooth operation



RK-3D



No vibration when throwing a longnecked pieces.

Now a DD(direct drive) motor matched with a potter's wheel.

The DD motor is vibration free with fast responses. The wheel will respond quickly and smoothly to the foot pedal or lever.

Free Spinning

Wheelhead turns freely in the off position that allows it to be used as a banding wheel.

Easily change direction of rotation with the FWD/REV switch

You must return the wheel to "0" RPM after a power interpretation or changing direction which avoids sudden, unexpected starts.



Stable power (400 W motor) Even when applying pressure it does not slip at low RPM's. It is also responsive when making large pieces.

DD motor (Direct Drive Motor)

Its excellent features are quietness, since developed as a highly efficient motor to save energy. You also do not feel any annoying noise or vibration since there are no belts, gears or drive components.

Superior New Design



RK-3E

You can adjust the wheel height to a comfortable position.



Adjustable height with table-top position.

The design of the brushless DC motor provides high torque at all speeds.

Combined with a "high-tech" positive feedback controller the motor will maintain your present speed under all load conditions, even under downward pressure.

"QUIET" (30 Decibels)

120 Decibels near the engine of an air plane



80 Decibels inside a subway



30 Decibels quiet town at night



Extraordinary quietness of both the RK-3D and RK-3E models allows you to concentrate on your work and wheel not disturb others when used in your home.

