

“QUIET” (30 Decibels) and “POWERFUL” (300W Motor)

A direct drive motor in a potter's wheel brings many features:

Responsive, high torque at all speeds, powerful, smooth without any vibration (no belts or pulleys), and extremely quiet.

Remote foot pedal is extremely smooth, responsive and is accurate during operation

Adjustable height for comfort and ergonomics

5 height settings

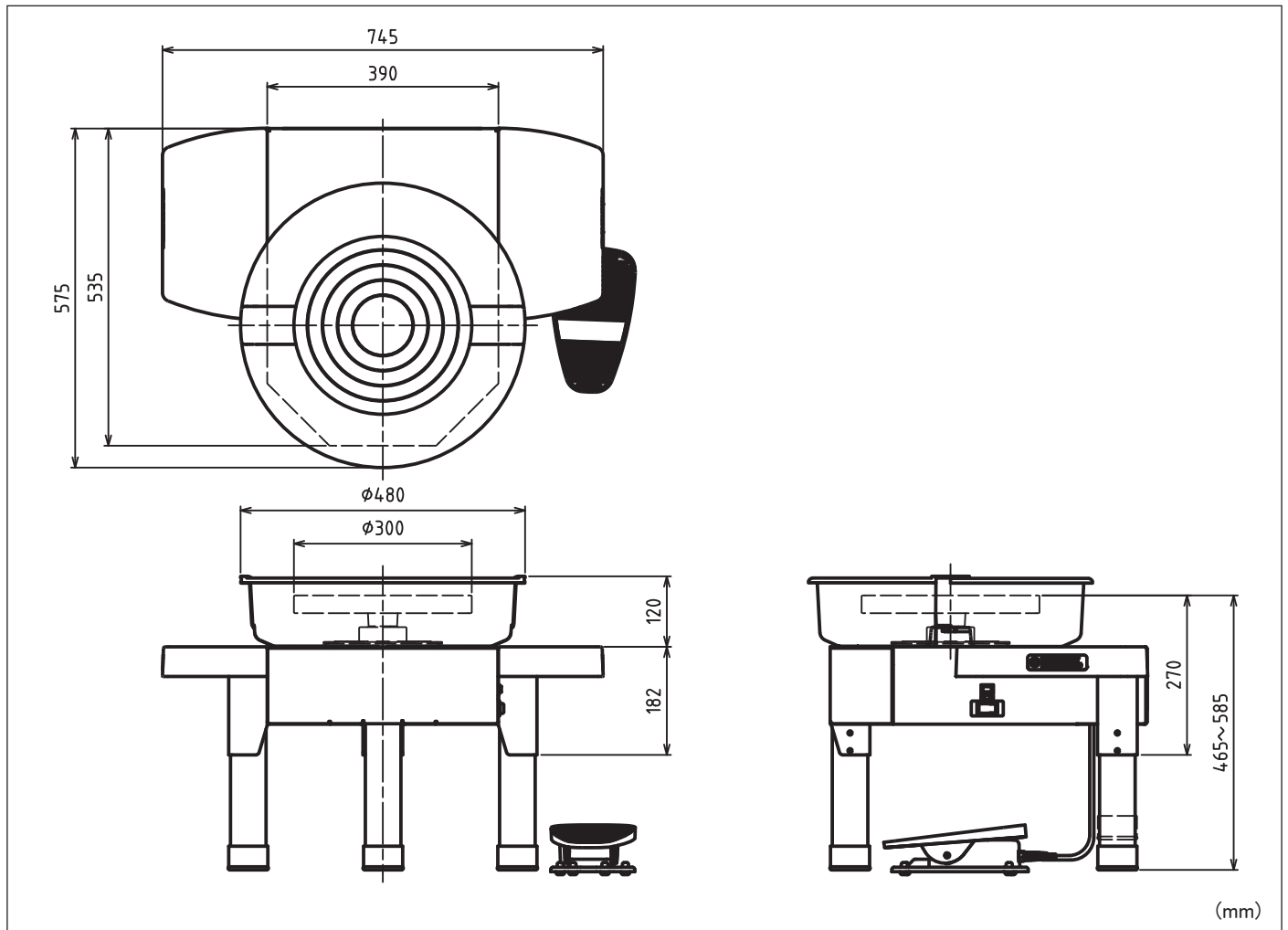


Specifications

Model	Whisper-T
Motor	300W AC230V 50Hz/60Hz single phase
Drive System	Direct Drive DC Brushless Motor with electric speed control
Wheelhead speed	0 – 250rpm
Speed control	Remote Foot Pedal
Wheelhead Direction	Clockwise/Counter-Clockwise
Wheelhead	Light alloy casting, diameter 300mm
Dimension	745 × 575 × 585mm (max)
Ship Weight	45kg



Dimension



Caution

Please read the entire instruction manual thoroughly before initial set-up and operation; the information contained herein will aid you in operating your shippo wheel safely and with excellent results.