

TABLE TOP SLAB ROLLER *TSR* SERIES

Let's enjoy ceramics with our new slab roller!



Effortlessly create a flat and even slab in any space !

Adjust the thickness of your slab quickly and easily.

Adjust the gauge to your desired thickness, then fix the lever. You can make a flat, even slab between 3 and 22 mm.

Easy set up.

Pull out stabilizer. affix the handle then place the board and canvas on the slab roller. That's all you need to do!

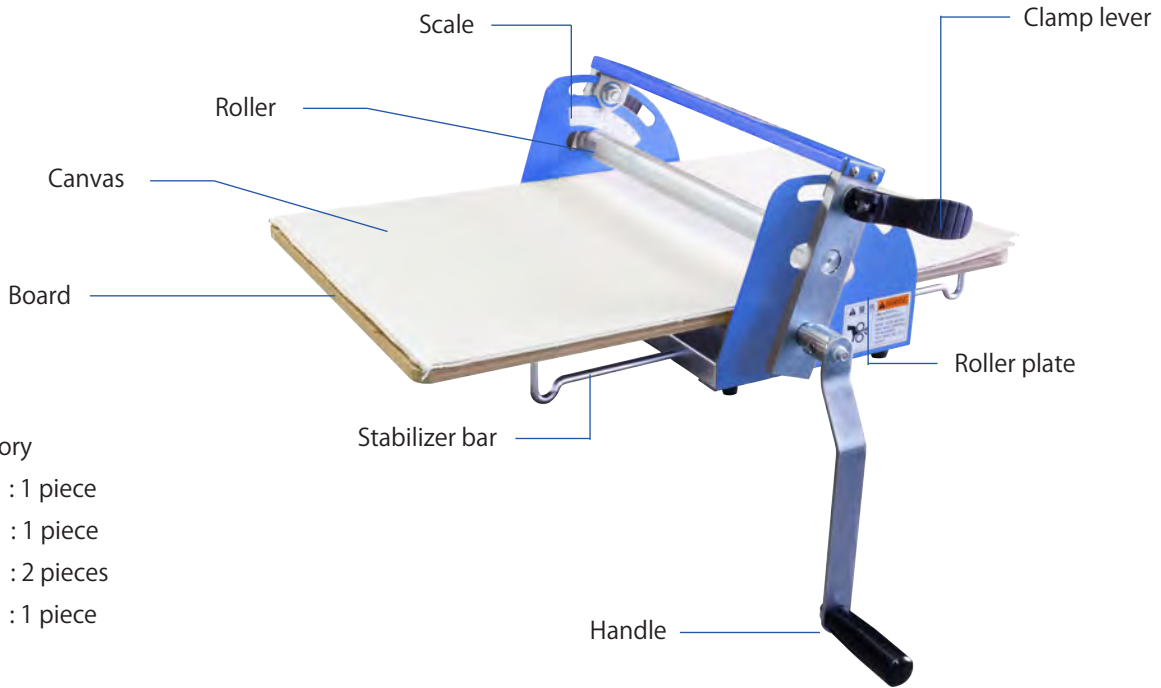
High performance in a compact size.

Carefully designed for easy use by just about anyone ! You only need to do a little to make this slab roller do a lot !

Space saving and easily portable !

Name of each portion / Parts / Size

■ TSR



■ Accessory

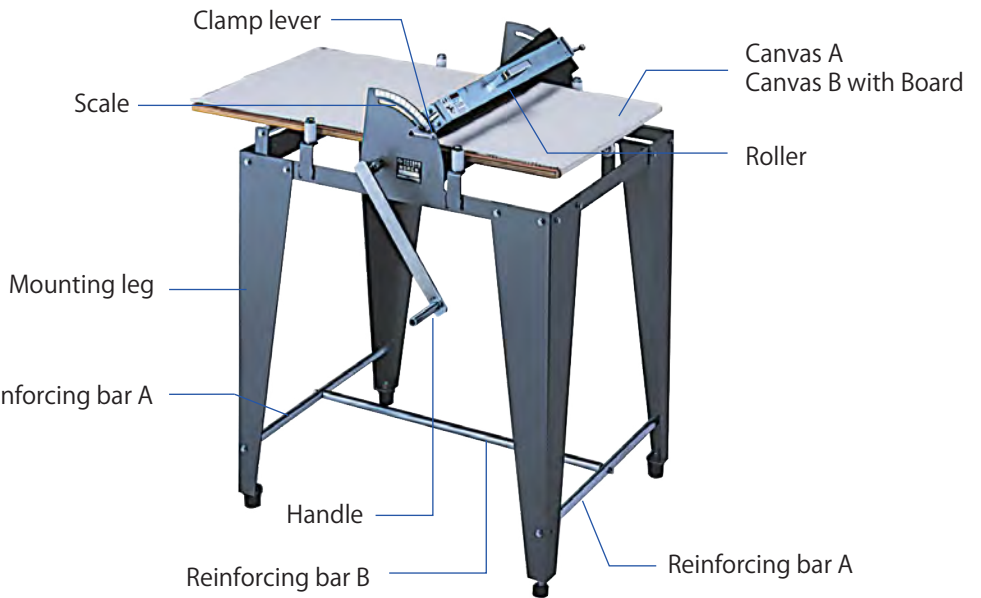
- Main unit : 1 piece
- Handle : 1 piece
- Canvas : 2 pieces
- Board : 1 piece

■ Size

- Outside dimensions : 600 × 680 × Height 210 mm
- Weight : 14 Kg
- Slab size : 370 × 500 × Thickness 3 to 22mm

Please pay attention to roller while operating the handle.
Don't insert movable part when controlling clamp lever.

■ NSRC (This product requires assembly.)



■ Accessory

- Main unit : 1 piece
- Mounting leg : 4 pieces
- Reinforcing bar A : 2 pieces
- Reinforcing bar B : 1 piece
- Handle : 1 piece
- Canvas A : 1 piece
- Canvas B with Board : 1 piece
- Spanner : 2 pieces

■ Size

- Outside dimensions : 900 × 820 × Height 1,160 mm
- Weight : 50 Kg
- Slab size : 700 × 400 × Thickness 3 to 30mm