

# PM with Gear Box Stepping Motors MSKS series

## ■ MSKS series



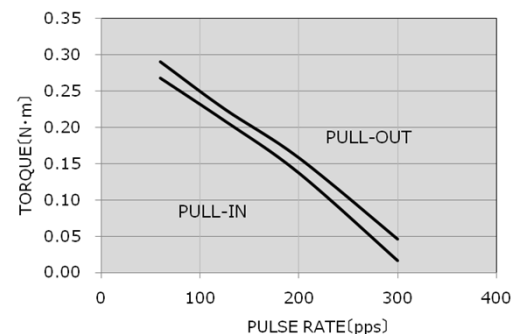
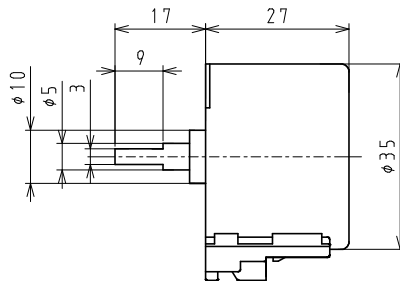
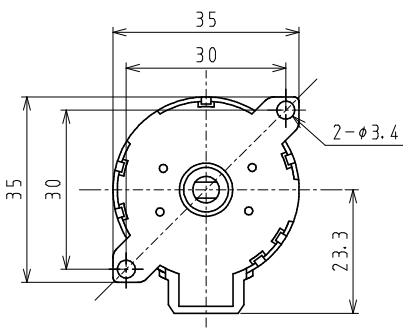
## ■ Standard specifications

Size(mm)	Φ35 × L27
Weight(g)	85
Resistance(Ω)	600
Rated voltage(V)	24
Resistance	2Ex.
Driving waveform	uni-polar
Step angle(deg.)	7.5/42.5(2Ex.)
Detent torque(N·m)	0.07 or more
Max self start frequency(pps)	200 or more
Operating temperature(°C)	-5~40

## ■ Characteristic

- This motor has high torque and high resolution.
- This motor is ideal for driving flaps and valves.

## ■ Dimensions / Torque characteristic



Characteristic data is based on standard specifications

## NIDEC SANKYO CORPORATION

For additional information, please contact our sales.

### Tokyo Office

Nidec Tokyo Bldg., 1-20-13 Osaki, Shinagawa-ku, Tokyo 141-0032, Japan Tel:(81)3-5740-3000