

PM with Gear Box type Stepping Motors MSRPC series

■MSRPC series



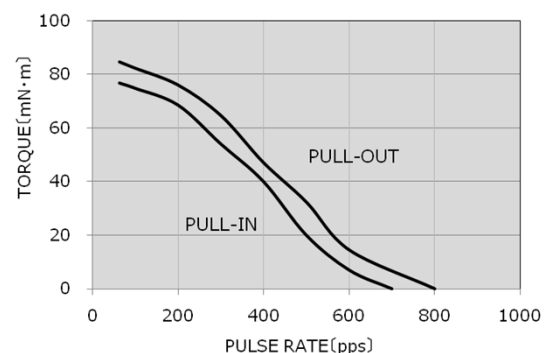
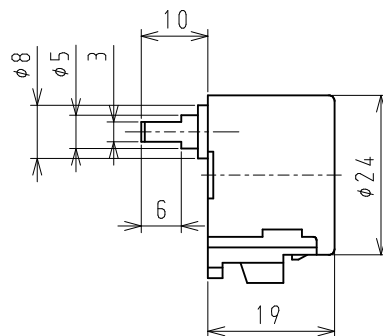
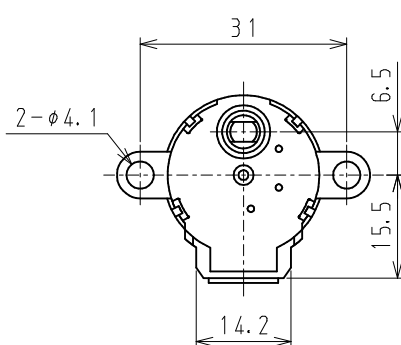
■Standard specifications

Size (mm)	Φ24 × L19
Weight (g)	32
Resistance (Ω)	380
Rated voltage (V)	12
Excitation	1-2Ex.
Driving waveform	uni-polar
Step angle (deg.)	5.625/64 (1-2Ex.)
Detent torque (mN·m)	58.8 or more
Max self start frequency (pps)	550 or more
Operating temperature (°C)	-5~40

■Characteristics

- This motor has high torque and high resolution.
- This motor is ideal for driving flaps and valves.

■Dimensions / Torque characteristic



Characteristic data is based on standard specifications

NIDEC SANKYO CORPORATION

For additional information, please contact our sales.

Tokyo Office

Nidec Tokyo Bldg., 1-20-13 Osaki, Shinagawa-ku, Tokyo 141-0032, Japan Tel:(81)3-5740-3000