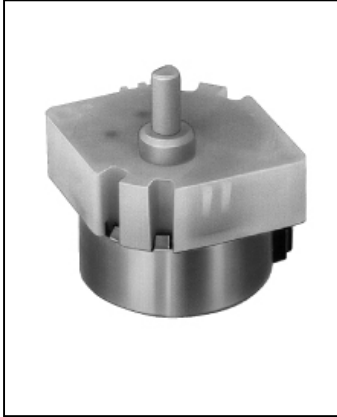


PM with Gear Box type Stepping Motors MSCRB series

■ MSCRB series



■ Standard specifications

Size (mm)	Φ35 × L30
Weight (g)	75
Resistance (Ω)	25
Rated voltage (V)	12
Excitation	1-2Ex.
Driving mark	uni-polar
Step angle (deg.)	3.75/12.9(1-2Ex.)
Current input (mA)	720 or less
Output torque (N·m)	0.245 or more
Detent torque (mN·m)	19.6 or more
Max self start frequency (pps)	550 or more
Operating temperature (°C)	-5~40

■ Applications

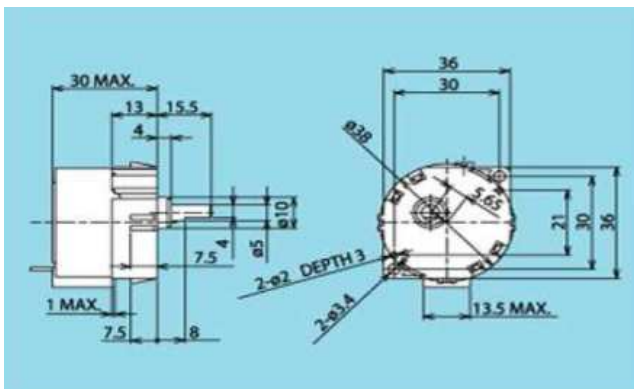
Home applications

■ Characteristics

High torque.

Optimal motor for driving warm water toilet seat cleaning nozzle.

■ Dimensions



Characteristic data is based on standard specifications

NIDEC SANKYO CORPORATION

For additional information, please contact our sales.

Tokyo Office

Nidec Tokyo Bldg., 1-20-13 Osaki, Shinagawa-ku, Tokyo 141-0032, Japan Tel:(81)3-5740-3000