

## 66 Frame Gearbox Motor

**Imperial 66 Frame Gearbox Motors** deliver two-speed, brush drive power for floor scrubbers and polishers. The 66 frame features a low-profile design but still delivers five times the starting torque of an AC induction motor — all while drawing low starting amps.

The 66 frame has a wide torque range (24.5 - 60.5 ft/lbs/33 - 82 Nm), providing plenty of power at low speeds for floor scrubbing and at high speed for floor polishing. Rugged, all ball bearing construction means you can depend on 66 Frame motors over a long service lifetime.



### Specifications

- 115/230 VAC rectified
- 1.5 hp (1.12 kW) @ 15 A
- 24.5 - 60.5 ft/lbs (33 - 82 Nm) torque range
- 130 - 320 rpm shaft output
- Ambient temperature 40° C
- Insulation Class B
- 10:1 and 11:1 gear ratios available

### Features

- UL and CSA listed E81736
- Brush wear detector option
- Long operating life
- Dual speed options
- High starting torque
- Ball bearing construction
- Three planet gearbox
- Continuous duty

### Applications

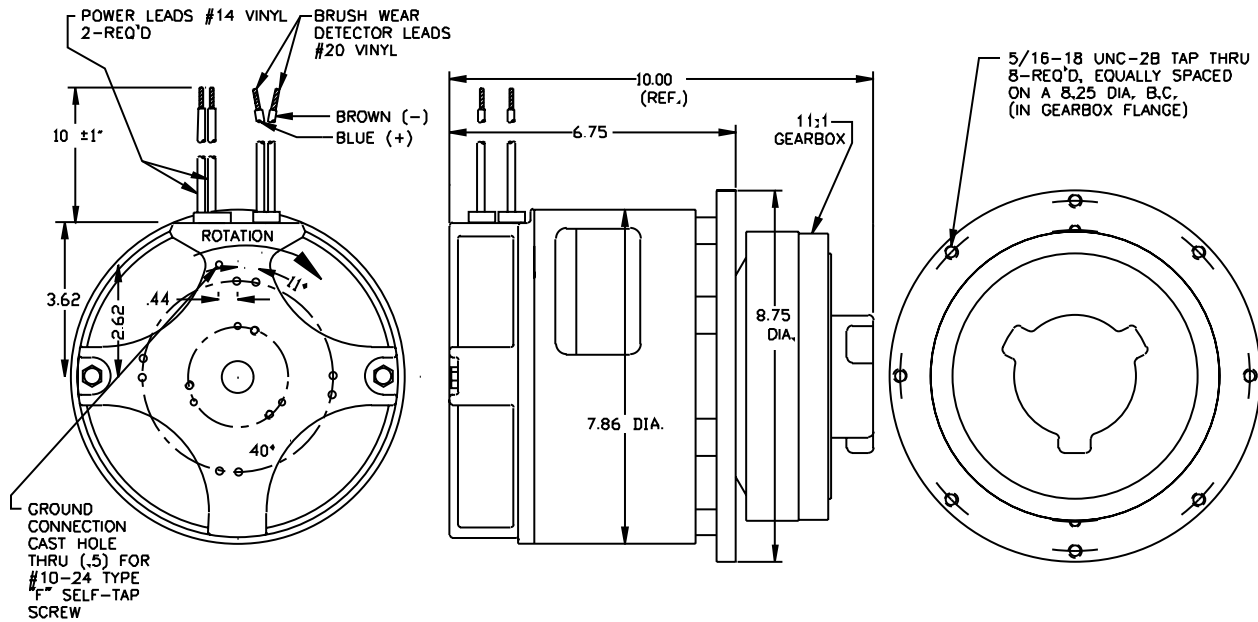
- Commercial floor care equipment



**KJH (Kinetek Jinghe)**  
+86.20.6683.5476 direct  
yingye@jinghechina.com  
jinghechina.com

**US Sales Office**  
sales@kinetekinc.com  
kinetekinc.com

## Dimensions



## Model Specifications

Model	Volts	HP	kW	RPM	Hz	Amps	Gear Ratio	Output Shaft		Rotation	Brush Detector	Electrical Connection	Enclosure	Mount	Weight	
								Inches	mm						lbs	kg
P66 SR 298*	230	1.50	1.1	290/160	50/60	8	11:1	2.875	73.0	CW-Hub	Br-Det	Leads	Open	Face	47	21.3
P66 SR 247*	230	1.50	1.1	320/180	50/60	8	10:1	2.875	73.0	CW-Hub	No	Leads	Open	Face	47	21.3
P66 SR 270*	230	1.50	1.1	320/180	50/60	8	10:1	2.875	73.0	CW-Hub	Br-Det	Leads	Open	Face	41	21.8
P66 SR 233	115	1.50	1.1	290	50/60	15	11:1	2.875	73.0	CW-Hub	Br-Det	3P-Plug	Open	Face	47	21.3
P66 SR 297*	115	1.50	1.1	290/160	50/60	15	11:1	2.875	73.0	CW-Hub	Br-Det	Leads	Open	Face	47	21.3
P66 SR 239*	115	1.50	1.1	320/180	50/60	15	10:1	2.875	73.0	CW-Hub	No	Leads	Open	Face	47	21.3
P66 SR 245*	115	1.50	1.1	320/180	50/60	15	10:1	2.875	73.0	CW-Hub	Br-Det	Leads	Open	Face	47	21.3
P66 SR 288	115	1.50	1.1	290	50/60	15	11:1	2.875	73.0	CW-Hub	No	3P-Plug	Open	Face	48	21.8
P66 SR 249	115	1.50	1.1	130	50/60	15	11:1	2.875	73.0	CW-Hub	Br-Det	3P-Plug	Open	Face	48	21.8
P66 SR 276*	100	1.30	1.0	270/175	50/60	15	10:1	2.875	73.0	CW-Hub	Br-Det	Leads	Open	Face	47	21.3

\* Dual speed motors



**KINETEK®**

*Technology in Motion*

**KJH (Kinetek Jinghe)**  
 Zhongxing Industrial Zone,  
 Pingshan approach of 105th National Road  
 Zhongcun town of Panyu District  
 Guangzhou, China

+86.20.6683.5476 direct

+86.203.4716.922 fax

yingye@jinghechina.com

jinghechina.com

**US Sales Office**  
 1503 Exeter Rd.  
 Akron, OH 44306  
 sales@kinetekinc.com  
 kinetekinc.com