



AC AND DC MOTORS

ADVANCED POWER FOR COMMERCIAL OR RECREATIONAL VEHICLES OR LIFTS

Advanced Motors & Drives provides a complete line of reliable electric motors, both AC and DC. Our motors will quietly do the job, year after year, keeping your battery-powered vehicle on the course or moving and lifting loads on the factory floor.

We understand that power, performance, reliability, and simplicity are the bedrock requirements on which quality electric vehicles are built. Our motors are designed to serve across a wide range of applications. Our engineering values and market knowledge assure a superior customer experience.

AC Motors

AC motors offer a wide range of speed regulation with constant torque output. Extruded aluminum housings provide optimal thermal dissipation.

- Several levels of mechanical and moisture protection available



DC Motors

DC motors feature heavy duty commutator construction using stainless steel brush springs, heavy duty brass brush boxes, and high temperature brush shunt connections. Armatures and field coils are poly-thermaleze coated.

- High-temp polyester varnish impregnated armature
- Fully impregnated frame and field
- Die cast aluminum drive and commutator endheads



Features

- Heavy duty construction
- High efficiency designs
- Class H insulation
- Sealed bearings
- High temperature lubricant

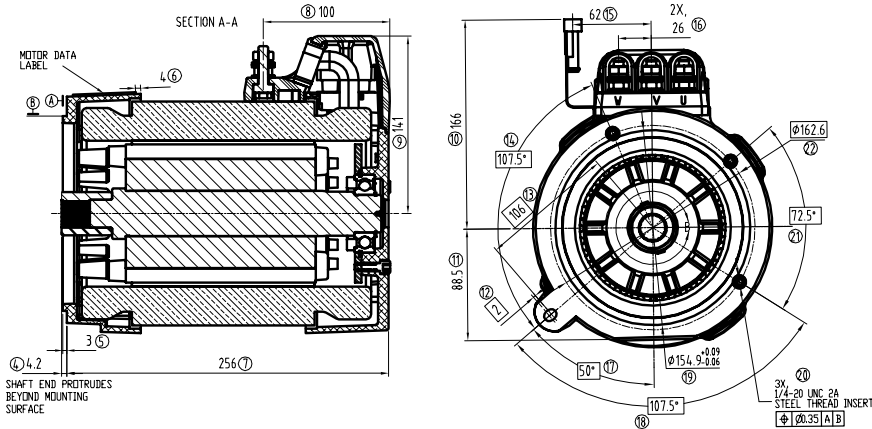
Applications

- Golf cars
- Neighborhood electric vehicles (NEV)
- Utility vehicles
- Scissor lifts
- Fork lifts



AC AND DC MOTORS

AC EXAMPLE (ACX-2043-1)

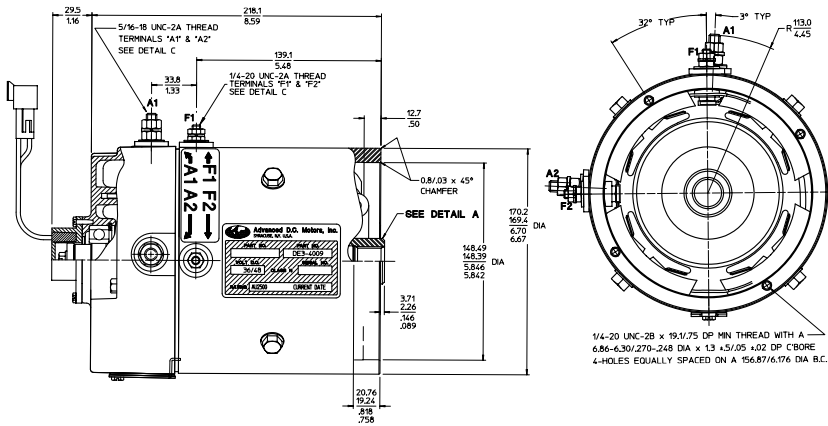


AC DUTY TABLE

TYPE	VOLTAGE	(TO) HP/KW	RPM
5.5"/140 mm	12 - 48	2.0 HP/1.5 kW	0 - 5000
6.7"/170 mm	12 - 96	4.0 HP/3.0 kW	0 - 5000
7.5"/190 mm	12 - 96	5.0 HP/4.0 kW	0 - 5000
8"/203 mm	12 - 144	6.0 HP/4.5 kW	0 - 5000
9"/228 mm	12 - 144	10.0 HP/7.5 kW	0 - 5000
11"/280 mm	12 - 48	12.0 HP/9.0 kW	0 - 5000

* Power ratings S-2 60 minutes

DC EXAMPLE (DE3-4009)



DC DUTY TABLE

TYPE	VOLTAGE	(TO) HP/KW	RPM
4.5"/114 mm	12 - 24	2.0 HP/1.5 kW	0 - 5000
5.5"/140 mm	12 - 48	4.0 HP/3.0 kW	0 - 5000
6.7"/170 mm	12 - 96	9.0 HP/7.0 kW	0 - 5000
8"/203 mm	24 - 144	20.0 HP/15.0 kW	0 - 5000
9.1"/231 mm	24 - 144	26.0 HP/19.0 kW	0 - 5000
11"/280 mm	12 - 48	25.0 HP/19.0 kW	0 - 4000

* Power ratings S-2 60 minutes



Advanced Motors & Drives®

A Kinetek Company®

Corporate Headquarters

6268 E. Molloy Road
East Syracuse, NY 13057

315.434.9303 direct
315.432.9290 fax

info@adcmotors.com
www.adcmotors.com