

Chassisdrive 300 Wheel motor

Compact, durable traction drives for electric powered equipment

For the past 50 years, Euclid Universal has worked to establish its position as a global leader in the power transmission field. Working with diverse Original Equipment Manufacturers, Euclid designs and builds gear drive systems for special applications where off-the-shelf items will not fit or meet exacting rugged duty performance requirements. While the competition adapts drives originally designed for completely different purposes such as automotive windshield wipers and industrial conveyors, Euclid Universal produces gearmotors, gearheads, speed reducers and transaxles custom-made to meet the unique needs of each customer.

Our flexibility in engineering and production affords rapid response in design, prototype and production. Requirements for either low- or high-volume orders can be handled within our facility at competitive costs. We test for sound and vibration issues to assure pre-established requirements are met on each shipment.



Features

- Vent-less permanent magnet motor (0.5-2 hp/ 24 or 36 VDC TENV)
- Specifically designed as a self contained drive. Simply 'bolt on and plug in'
- Electrically released parking brake direct to input pinion
 - mounting options on motor or gearbox
 - manual release handle
- Main housing die cast in corrosion resistant aluminum
- Designed with a 300mm dia. solid tire
- Options: 80-85 durometer polyurethane smooth or Nitrile 'Hytraq' wet traction treaded
- Tire/wheel, motor and brake can be charged without affecting other components
- Designed with quality seals and bearings.
- 35:1, 23:1 total double reduction
- High quality 'EP' greased-for-life lubrication

Applications

- Load movers
- Material handling
- Floor cleaning equipment
- Mobile work platforms
- Automated guided vehicles

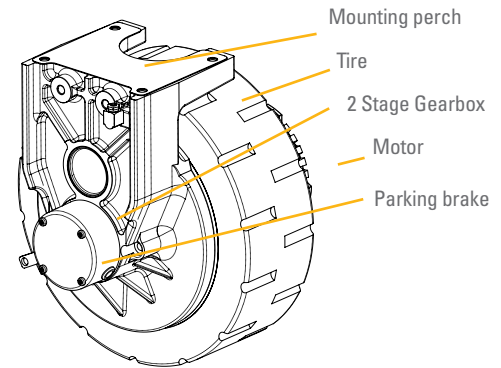
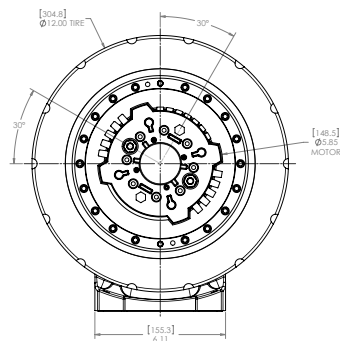
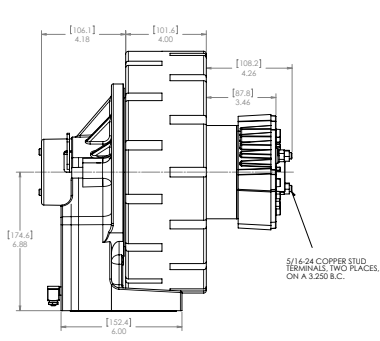


Euclid Universal®

A Kinetek Company®

Euclid Universal
 30500 Bruce Industrial Parkway, Suite B
 Solon, OH 44139
 Phone: (440) 349-4083
 Fax: (440) 349-4894
 Email: sales@imperialelectric.com
 Web: eucliduniversal.com

Dimensions



Specifications

- Weight: 45 lbs +/- options
- Housing: Die cast aluminum
- Lubrication: Extreme pressure grease
- Tire: 300mm H x 101mm W
- Motor: Ventless permanent magnet
- Wheel load: < 1200 lbs solid Nitrile
< 1500 lbs polyurethane
- Speed: 0–4.6 mph
- Gearbox: 36:1, 23:1 total reduction ratio, double reduction, helical primary, steel heat-treated gears
- Brake*: Electric parking E-mag (60 lb-in or 42 lb-in), 24V or 36V
- Swing radius: 6" +/- options



Load tester at assembly bench



Computer-based vibration testing during assembly



*Note that each of the Wheel Motors are available with this brake. Refer to factory for part number.

P/N	MOTOR HP	MOTOR RMP	VOLTAGE	RATIO	TIRE TYPE	WHEEL LOAD	OUTPUT RPM	GROUND SPEED	OUTPUT TORQUE (CONT.)
300CD6571D35	1/2 HP	1800 RPM	24 V	35:1	POLYURETHANE	1400 lbs.	51 RPM	1.82 mph	613 in.-lbs.
300CD6572D35	1/2 HP	1800 RPM	24V	35:1	HYTRAQ RUBBER	1100 lbs.	51 RPM	1.82 mph	613 in.-lbs.
300CD6575D35	1 HP	2800 RPM	24 V	35:1	POLYURETHANE	1400 lbs.	80 RPM	2.86 mph	788 in.-lbs.
300CD6576D35	1 HP	2800 RPM	24V	35:1	HYTRAQ RUBBER	1100 lbs.	80 RPM	2.86 mph	788 in.-lbs.
300CD6579D35	1 HP	3100 RPM	36 V	35:1	POLYURETHANE	1400 lbs.	89 RPM	2.63 mph	711 in.-lbs.
300CD6580D35	1 HP	3100 RPM	36 V	35:1	HYTRAQ RUBBER	1100 lbs.	89 RPM	2.63 mph	711 in.-lbs.
300CD6583D35	1 HP	3600 RPM	24 V	35:1	POLYURETHANE	1400 lbs.	103 RPM	3.06 mph	613 in.-lbs.
300CD6584D35	1 HP	3600 RPM	24 V	35:1	HYTRAQ RUBBER	1100 lbs.	103 RPM	3.06 mph	613 in.-lbs.
300CD6587D35	1 HP	4500 RPM	24 V	35:1	POLYURETHANE	1400 lbs.	128 RPM	4.57 mph	490 in.-lbs.
300CD6588D35	1 HP	4500 RPM	24V	35:1	HYTRAQ RUBBER	1100 lbs.	128 RPM	4.57 mph	490 in.-lbs.
300CD6591D35	1 HP	4500 RPM	36 V	35:1	POLYURETHANE	1400 lbs.	128 RPM	4.57 mph	490 in.-lbs.
300CD6592D35	1 HP	4500 RPM	36 V	35:1	HYTRAQ RUBBER	1100 lbs.	128 RPM	4.57 mph	490 in.-lbs.
300CD6397D35	1-1/2 HP	3200 RPM	24 V	35:1	POLYURETHANE	1400 lbs.	91 RPM	3.25 mph	1034 in.-lbs.
300CD6595D35	1-1/2 HP	3200 RPM	24V	35:1	HYTRAQ RUBBER	1100 lbs.	91 RPM	3.25 mph	1034 in.-lbs.
300CD6597D35	2 HP	3400 RPM	36 V	35:1	POLYURETHANE	1400 lbs.	97 RPM	3.46 mph	1297 in.-lbs.
300CD6598D35	2 HP	3400 RPM	36 V	35:1	HYTRAQ RUBBER	1100 lbs.	97 RPM	3.46 mph	1297 in.-lbs.
300CD6601D35	2 HP	4500 RPM	24 V	35:1	POLYURETHANE	1400 lbs.	128 RPM	4.57 mph	980 in.-lbs.
300CD6602D35	2 HP	4500 RPM	24V	35:1	HYTRAQ RUBBER	1100 lbs.	128 RPM	4.57 mph	980 in.-lbs.
300CD6604D35	2 HP	4500 RPM	36 V	35:1	POLYURETHANE	1400 lbs.	128 RPM	4.57 mph	980 in.-lbs.
300CD6605D35	2 HP	4500 RPM	36 V	35:1	HYTRAQ RUBBER	1100 lbs.	128 RPM	4.57 mph	980 in.-lbs.