

## LF36 Linear Actuator

The **Imperial LF36 Linear Actuator** is a powerful, low noise unit incorporating a 1/6 horsepower DC motor, adjustable limit switches, and rugged die-cast construction. The integral switch cover provides easy access to the limit switch adjustment cams. The LF36 is available with an extension tube or a plastic drive nut. An optional dust cover is available.

The LF36 is a multi-purpose unit, easily adapted for use in commercial floor care, automated manufacturing environments, power ventilation systems, automated entry systems, medical positioning, or ergonomic adjustment.



### Specifications

- 36 VDC input
- 1/6 horsepower motor
- 15% duty cycle
- On 2 minutes / Off 30 minutes
- 39 inches per minute (16.5 mm per second) with no load
- 30 inches per minute (12.7 mm per second) with 600 pound (2760N) load
- 21.7:1 motor to drive screw ratio

### Features

- Ultra low noise operation
- Long operating life
- Die-cast construction
- Adjustable limit switches
- Extension tube or plastic drive nut
- Optional dust cover

### Applications

- Commercial floor care equipment
- Material handling
- Mobility vehicles and lifts
- Ventilation systems
- Automated doors
- Manufacturing equipment
- Medical positioning
- Ergonomic adjustment



**Imperial Electric®**

A Kinetek Company®

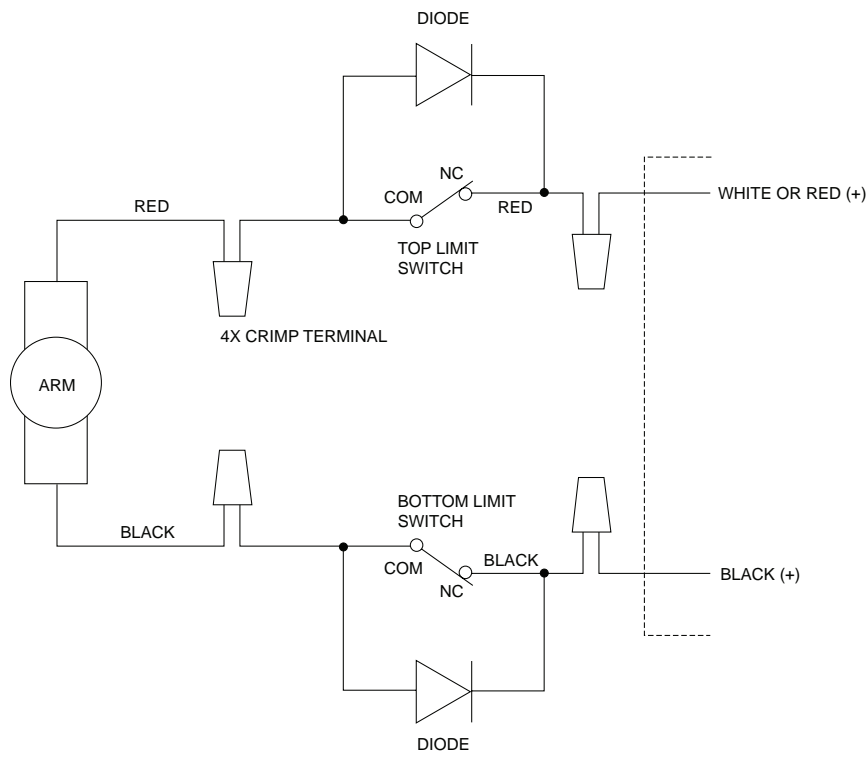
Imperial Electric  
1503 Exeter Rd  
Akron, OH 44306  
Phone: (330) 734-3600  
Fax: (330) 734-3601  
Web: [www.imperialelectric.com](http://www.imperialelectric.com)

U.S. contact: Rob Zarlino  
[zarlinor@imperialelectric.com](mailto:zarlinor@imperialelectric.com)

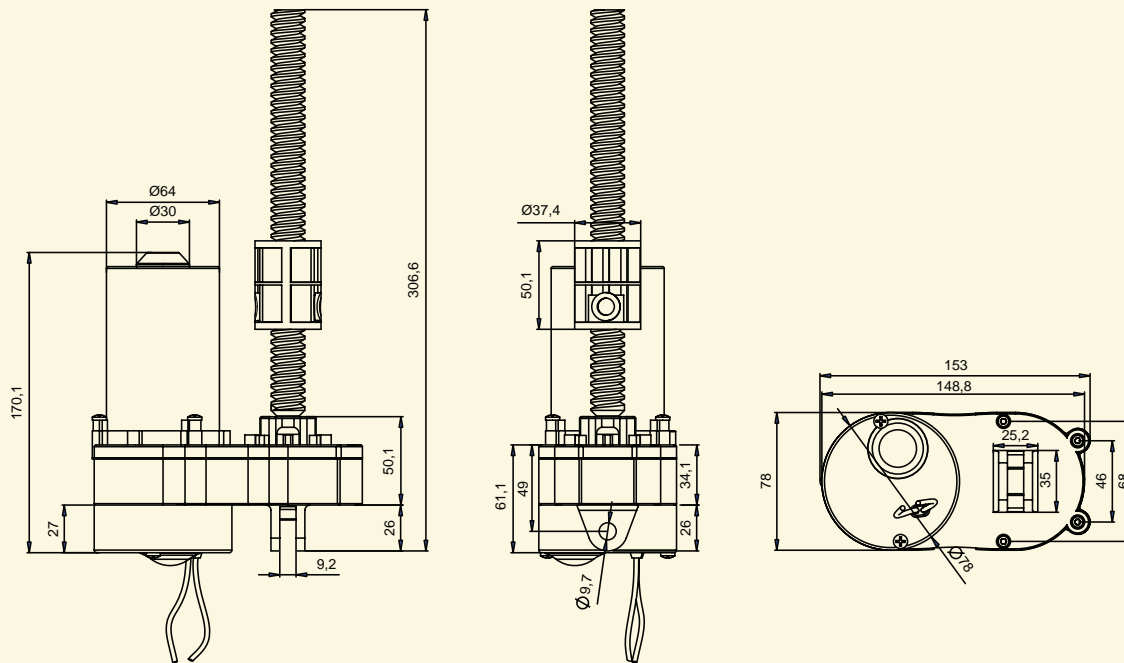
European contact: Massimo Piazza  
[piazza@kinetek-europe.com](mailto:piazza@kinetek-europe.com)



Electrical



Dimensions



**Imperial Electric**<sup>®</sup>  
A Kinetek Company<sup>®</sup>

Corporate Office Phone: (330) 734-3600  
Fax: (330) 734-3601

East Coast Office Phone: (908) 575-7950  
Fax: (908) 575-7958

SG-02-0060 A2 4/08