



Top Loading Electric Kiln

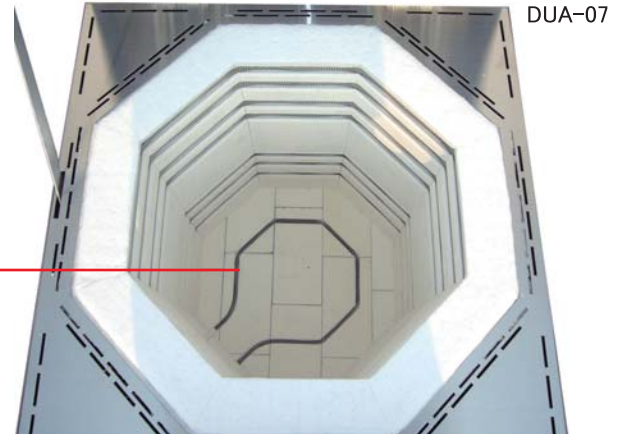
# Model DUA Series

## Safety Construction

The outer surface of the kiln will remain 80C because of the unique double insulation and air flow space in the walls even when firing to the maximum temperature.

Great for Schools

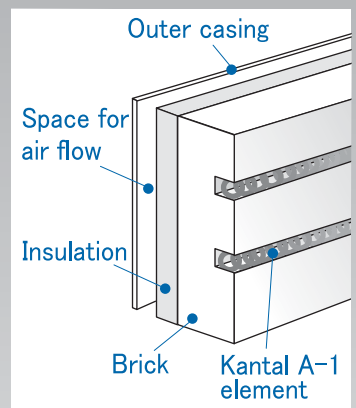
Floor elements assure even heating.



DUA-07

## Easy Lid Lifting

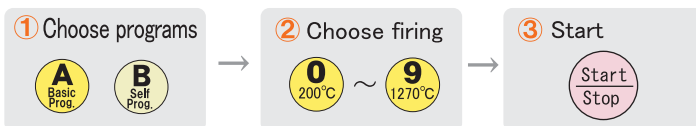
Gas struts allow the kiln lid to open with ease and come standard on the DUA-10, 12, and 15 models.



DUA-10/12/15

## Easy Kiln Firing

Three simple buttons will help you through an easy firing.



The kiln can reach temperatures up to 1,300°C. 10 basic programs for Glaze firing, Bisque firing, and Raku firing. Controller will allow up to 16 personal programs.

## Easy to move

All kilns come standard with casters to make moving the kiln easy.



# DUA Series

## ● Specifications

Model	Petit (DUA-01)	DUA-05	DUA-07
Outside dimension W×D×H	475 × 540 × 495mm	720 × 780 × 645mm	720 × 780 × 875mm
Inside dimension Dia.×H	φ 240 × 200mm	φ 445 × 340mm	φ 445 × 570mm
Weight	35kg	95kg	120kg
Electric Capacity	2.2kW	4.5kW	6.7kW
Power Supply	220V 10A	220V 21A	220V 31A
Firing Temperature	1300°C		
Thermocouples	R Type Thermocouple, 1 piece		

## Attachments

Shelf	φ 395mm 2	φ 395mm 3 Half 1	φ 530mm 2 Half 2
Post	30,60,90,120,150mm 3pcs. for each		30,60,90,120,150,210mm 3pcs. for each

Model	DUA-10	DUA-12	DUA-15
Outside dimension W×D×H	910 × 920 × 1,050mm	1,040 × 1,050 × 820mm	1,040 × 1,050 × 1,050mm
Inside dimension Dia.×H	φ 585 × 685mm	φ 715 × 455mm	φ 715 × 685mm
Weight	170kg	180kg	210kg
Electric Capacity	10.3kW	11.5kW	15.1kW
Power Supply	1 φ 220V 47A	1 φ 220V 53A	1 φ 220V 69A
	3 φ 220V 27A	3 φ 220V 31A	3 φ 220V 40A
Firing Temperature	1300°C		
Thermocouples	R Type Thermocouple, 1 piece		

\* Gas struts allow the kiln lid to open with ease and come standard on DUA-10, 12 and 15 models

## Attachments

Shelf	φ 530mm 2 Half 2	φ 715mm Half 4	φ 715mm Half 6
Post	30,60,90,120,150mm 3pcs for each	30,60,90,120,150,210mm 5pcs. for each	




## Caution

Please read the entire instruction manual thoroughly before initial set-up and operation; the information contained herein will help you in operating your SHIMPO kiln safely and with excellent results.

# Petit

(DUA-01)



**Great for Test Firing**

Inside dimension :  
φ 240 × H200mm / Power  
Supply : 220V 10A / Firing  
Temperature : 1300°C

<http://www.nidec-shimpo.co.jp/>

**SHIMPO** —All for dreams  
**NIDEC-SHIMPO CORPORATION**

:1 Terada Kohtari, Nagaokakyo-city, Kyoto, 617-0833 Japan  
Phone: 81-75-958-3608 FAX:81-75-958-3647

Copyright NIDEC-SHIMPO Corporation. All Rights Reserved.



WA-1202005